

TP3.8M

【 SPECIFICATIONS 】

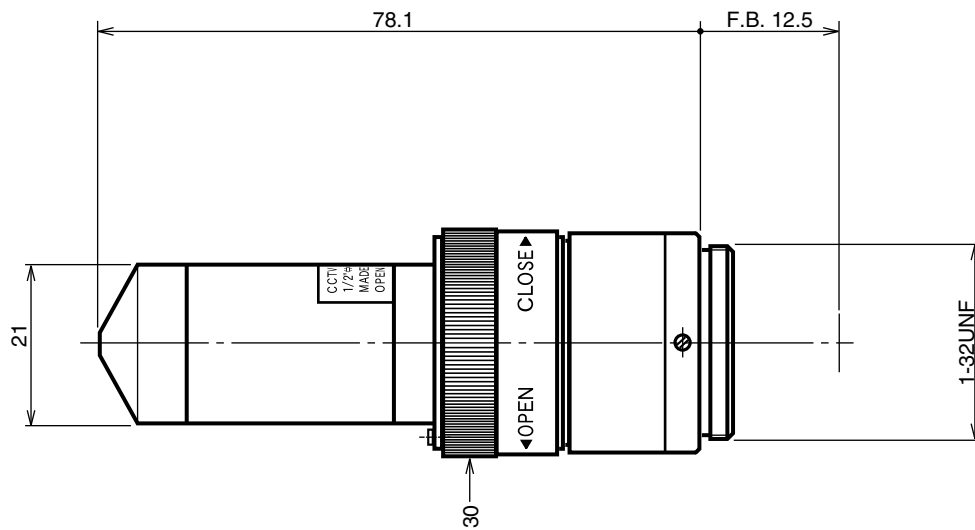
Image Size: $\frac{1}{3}$ $\frac{1}{4}$

Focal Length :	3.8mm	Flange Back :	12.5mm
Maximum Relative Aperture :	1:2.4	Operation :	Focus : - Iris : Manual
Iris :	F2.4 ~ Close	Operation Temperature :	-10 ~ +50
Angular Field of View :	53.5 ° × 43.1 °	Mount :	CS-Mount
Image Format :	4.8 × 3.6mm (6mm)	Size, Weight :	30 × 78.1mm, Approx. 75 g
Minimum Object Distance :	1.0m (From Front Vertex)		
Object Dimensions at M.O.D. :	100.8 × 79.0cm		
Optical Back Focal Distance :	10.41mm (In Air)		

【 COMPOSITION 】

- Lens 1
- Dust Cap 1

【 DIMENSIONS 】



Unit:mm