

TP3.8DC

Image Size: $\frac{1}{3}$ $\frac{1}{4}$

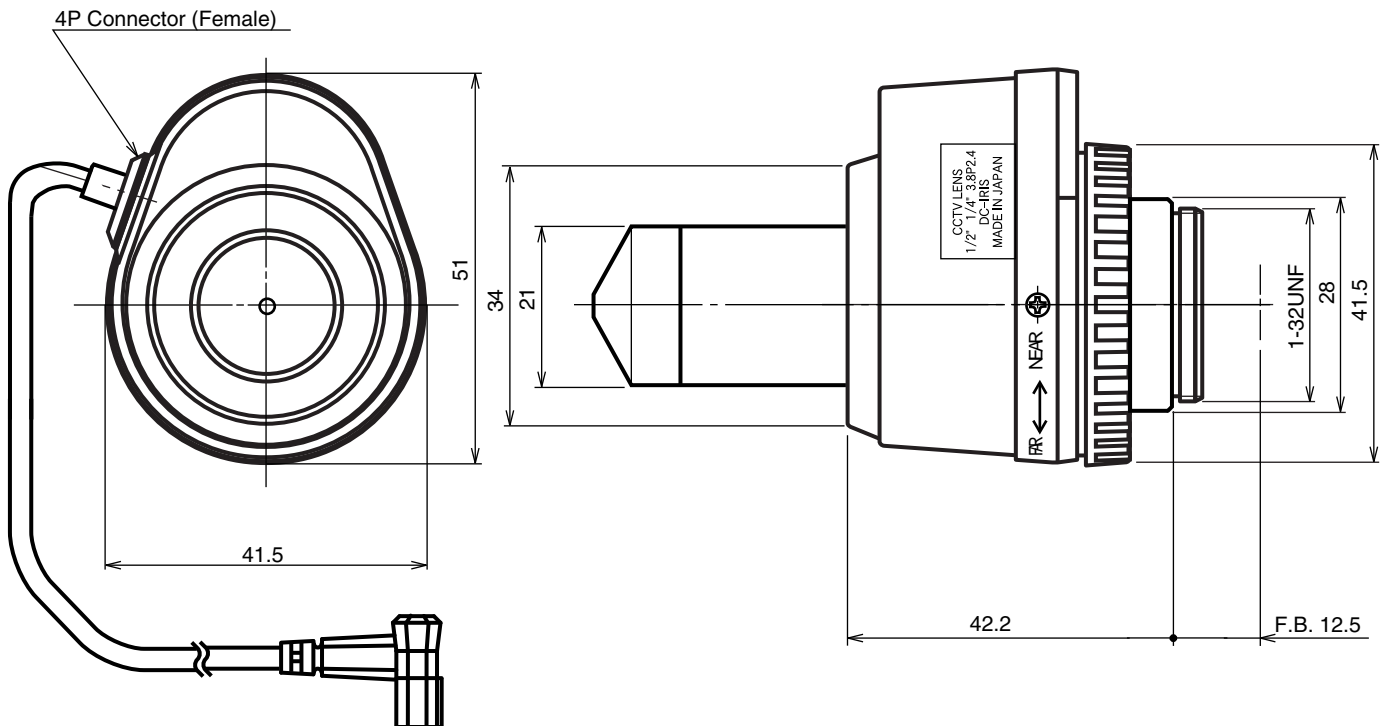
【SPECIFICATIONS】

Focal Length :	3.8mm	Flange Back :	12.5mm
Maximum Relative Aperture :	1:2.4	Operation Voltage :	Close Open : Less than 3V Open Close : More than 0.5V
Iris :	F2.4 ~ Approx. 360 (With Attenuator)	Operation :	Focus : Manual Iris : IG (Auto Close System)
Angular Field of View :	53.5 ° × 43.1 °	Operation Temperature :	-10 ~ + 50
Image Format :	4.8 × 3.6mm (6mm)	Mount :	CS-Mount (Adjustable Lens Position)
Minimum Object Distance :	1.0m (From Front Vertex)	Size, Weight :	21 × 51 × 41.5mm, Approx. 75 g
Object Dimensions at M.O.D. :	100.8 × 79.0cm		
Optical Back Focal Distance :	10.41mm (In Air)		

【COMPOSITION】

Lens 1
Dust Cap 1

【DIMENSIONS】



Unit:mm

【CIRCUIT DIAGRAM】

