

# HZ8120RAI-PZF/T

Image Size:  $\frac{1}{2}$   $\frac{1}{3}$   $\frac{1}{4}$

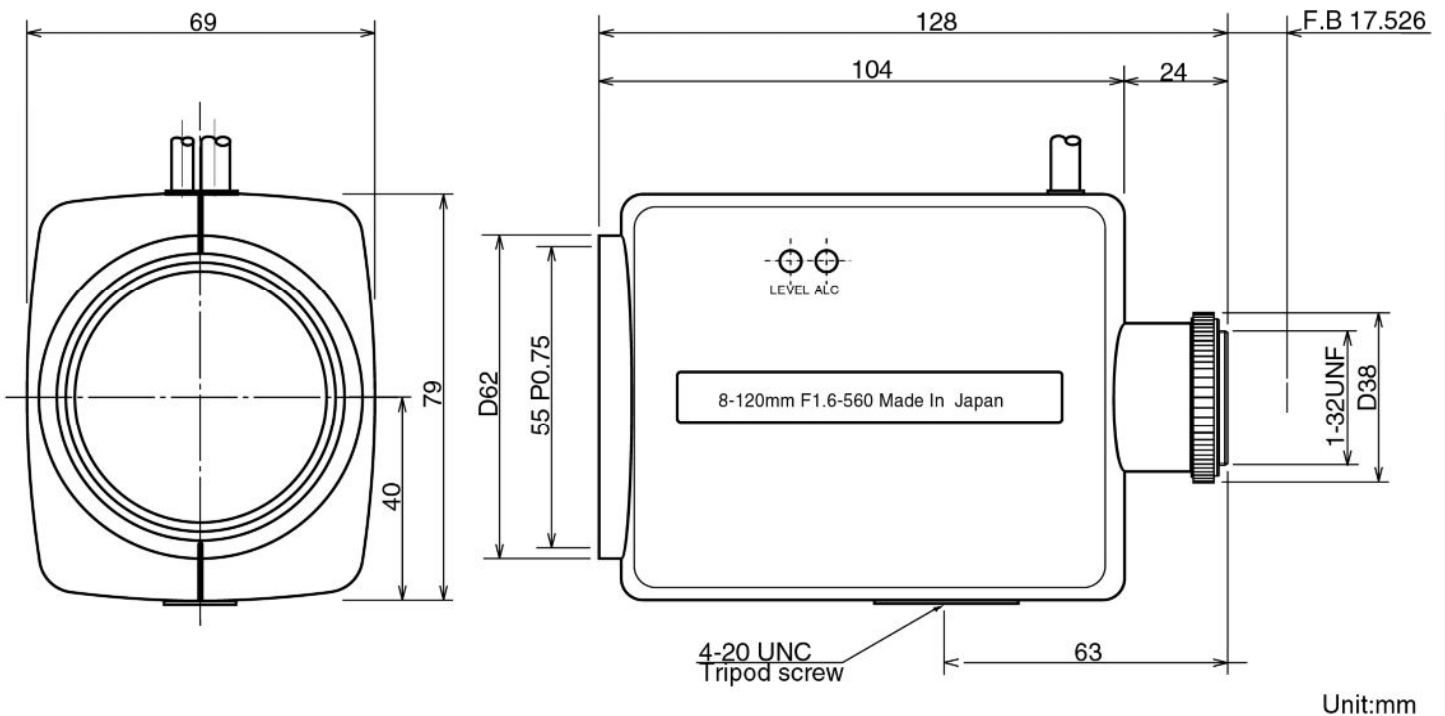
## [SPECIFICATIONS]

Focal Length :	8 - 120mm	Flange Back :	17.526mm
Maximum Relative Aperture :	1:1.6	Operation : Zoom :	Motorized
Iris :	F1.6 - 560	Focus :	Motorized
Zoom Ratio :	15X	Iris :	EE (DC+8.5 to 16V : Fixed Voltage, Max40mA) Speed Within 4sec.(Auto Close System)
Angular Field of View :	43.6 X 33.0deg. at 8mm 3.1 X 2.3deg. at 120mm	Operation Temperature :	-10 to +50°C
Image Format :	4.8 X 3.6mm(D6mm)	Mount :	C-Mount(Adjustable Lens Position)
Minimum Object Distance :	12m(From Front Vertex)	Front Thread :	55mm P0.75
Object Dimensions at M.O.D. :	90.3 X 62.7cm at 8mm 6.3 X 4.7cm at 120mm	Size ,Weight :	79X69X128mm, 570g
Optical Back Focal Distance :	14.66mm(In Air)		

## [COMPOSITION]

Lens .....1  
Lens Cap .....1  
Dust Cap .....1

## [DIMENSIONS]



## [CIRCUIT DIAGRAM]

