

# HEZ8551RDC

Image Size:  $\frac{1}{2}$   $\frac{1}{3}$   $\frac{1}{4}$

[SPECIFICATIONS]

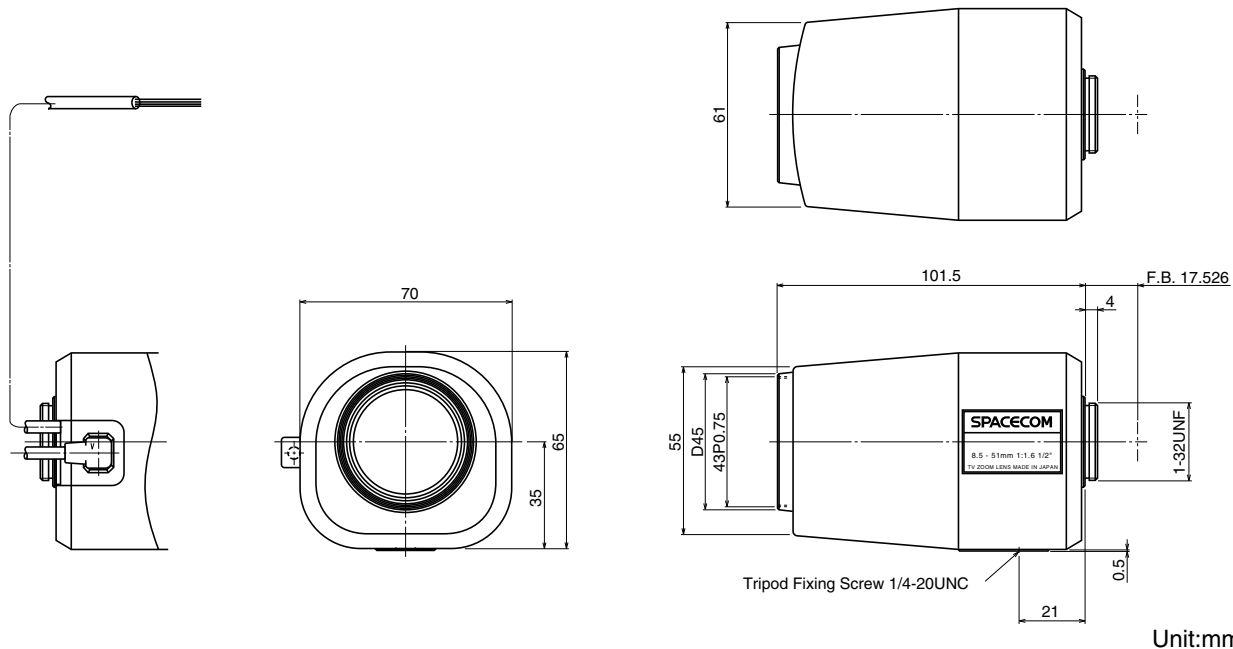
Focal Length :	8.5 - 51mm	Flange Back :	17.526mm
Maximum Relative Aperture :	1:1.6	Operation : Zoom :	Motorized(DC+/-6.4V, Max40mA) Speed Approx. 6.5sec.
Iris :	F1.6 - Approx. 360 (With ND Spot Filter)	Focus :	Motorized(DC+/-6.4V, Max40mA) Speed Approx. 6.5sec.
Zoom Ratio :	6X	Iris :	IG(Auto Close System) Close to Open : Less than 4.0V Open to Close : More than 0.1V Speed Within 4sec.
Angular Field of View :	41.3 X31.5 deg. at 8.5mm 7.2X 5.4 deg. at 51mm	Operation Temperature :	-10 to +50
Image Format :	6.4X4.8mm(D8mm)	Mount :	C-Mount(Adjustable Lens Position)
Minimum Object Distance :	1.2m(From Front Vertex)	Front Thread :	43mm P0.75
Object Dimensions at M.O.D. :	86.5X64.9cm at 8.5mm 17.1X 12.9 cm at 51mm	Size, Weight :	70X65X101.5mm, Approx. 275g
Optical Back Focal Distance :	15.56mm(In Air)		

[COMPOSITION]

- Lens .....1
- Lens Cap .....1
- Dust Cap .....1

4-Conductor Connector(Female) .....1  
(Any 4-conductor cable of external dia 6mm to be prepared separately.)

[DIMENSIONS]



[CIRCUIT DIAGRAM]

