

HEZ8551R

Image Size: $\frac{1}{2}$ $\frac{1}{3}$ $\frac{1}{4}$

[SPECIFICATIONS(At 1/2 inch)]

Focal Length : 8.5 - 51mm
 Maximum Relative Aperture : 1:1.6
 Iris : F1.6 - Close
 Zoom Ratio : 6X
 Angular Field of View : 41.3 X31.5 deg. at 8.5mm
 7.2 X 5.4 deg. at 51mm
 Image Format : 6.4X4.8mm(D8mm)
 Minimum Object Distance : 1.2m(From Front Vertex)
 Object Dimensions at M.O.D. : 92.8X69.6cm at 8.5mm
 17.1X12.9cm at 51mm
 Optical Back Focal Distance : 15.89mm(In Air)

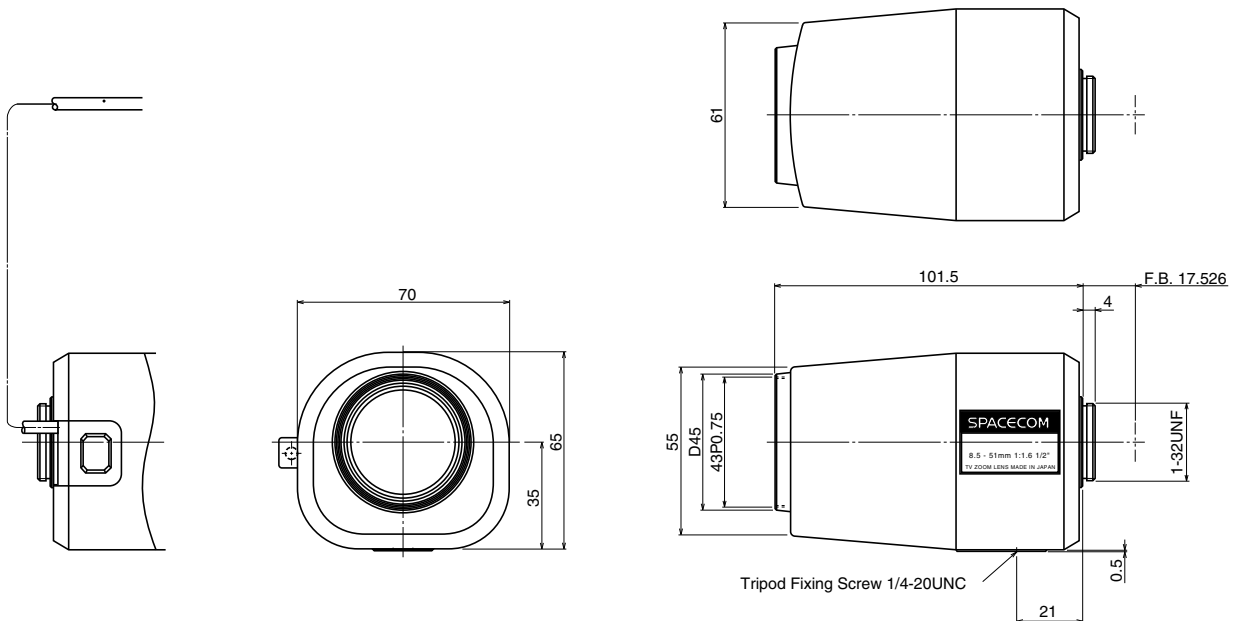
Flange Back : 17.526mm
 Operation : Zoom : Motorized(DC+/-6.4V, Max40mA)
 Speed Approx. 6sec.
 Focus : Motorized(DC+/-6.4V, Max40mA)
 Speed Approx. 6.5sec.
 Iris : Motorized(DC+/-6.4V, Max40mA)
 Speed Approx. 3sec.
 Operation Temperature : -10 to +50
 Mount : C-Mount(Adjustable Lens Position)
 Front Thread : 43mm P0.75
 Size, Weight : 70X65X101.5mm, Approx. 275g

[COMPOSITION]

Lens1
 Lens Cap1
 Dust Cap1

4-Conductor Connector(Female)1
 (Any 4-conductor cable of external dia 6mm to be prepared separately.)

[DIMENSIONS]



Unit:mm

[CIRCUIT DIAGRAM]

