

[SPECIFICATIONS] 3.1MegaPixel Lens for 1" Sensor

Image Size: 1 2/3 1/1.8 1/2

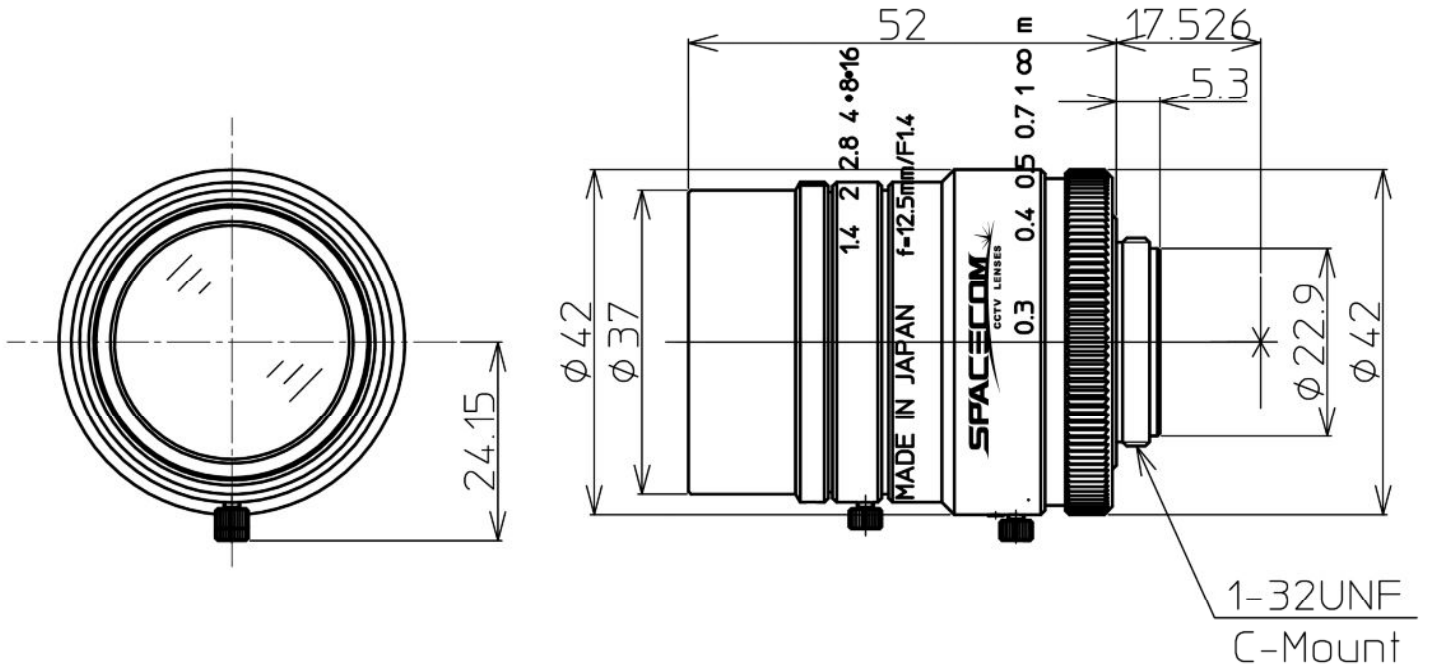
Focal Length :	12.5mm	Flange Back :	17.526mm
Maximum Relative Aperture :	1:1.4	Operation :	Focus : Manual Iris : Manual
Iris :	1.4 - 16	Operation Temperature :	-10 to +50deg.
Angular Field of View :	55.6X42.5deg.	Mount :	C-Mount
Image Format :	12.8X9.6mm(D16mm)	Front Thread :	35.5mm P0.5
Minimum Object Distance :	0.3 m(From Front Vertex)	Size, Weight :	D42X52mm, Approx. 150g
Optical Back Focal Distance :	12.6mm(In Air)		

Resolution : 100lines/mm ,5 μm (at center)    80lines/mm , 6.25 μm (at corner)    Distortion(TV) : -1.58%

[COMPOSITION]

- Lens .....1
- Lens Cap .....1
- Dust Cap .....1

[DIMENSIONS]



Unit:mm