

VF75DC

Image Size: (1) (2/3) (1/2) (1/3) (1/4)

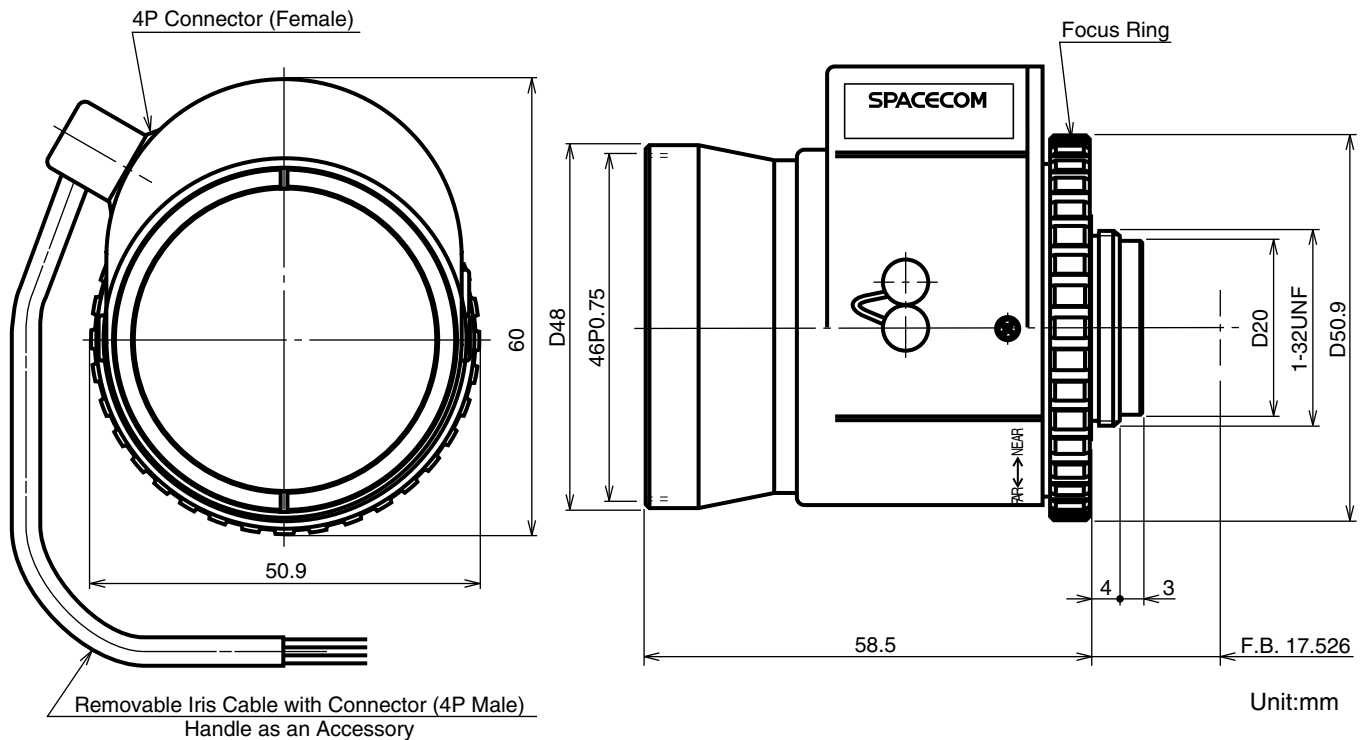
[SPECIFICATIONS]

Focal Length :	75mm	Flange Back :	17.526mm
Maximum Relative Aperture :	1:1.8	Operation Voltage :	Close to Open : Less than 3V Open to Close : More than 0.5V
Iris :	F1.8 - Approx. 360 (With ND Spot Filter)	Operation :	Focus : Manual Iris : IG(Auto Close System)
Angular Field of View :	9.7 X7.3 deg.	Operation Temperature :	-10 to +50
Image Format :	12.8X9.6mm(D16mm)	Mount :	C-Mount(Adjustable Lens Position)
Minimum Object Distance :	0.8m(From Front Vertex)	Front Thread :	46mm P0.75
Object Dimensions at M.O.D. :	17.5X14.1cm	Size, Weight :	60X50.9X58.5mm, Approx. 215g
Optical Back Focal Distance :	21.85mm(In Air)		

[COMPOSITION]

- Lens1
- Lens Cap1
- Dust Cap1

[DIMENSIONS]



[CIRCUIT DIAGRAM]

