

VF75AI

[SPECIFICATIONS]

Image Size: (1) (2/3) (1/2) (1/3) (1/4)

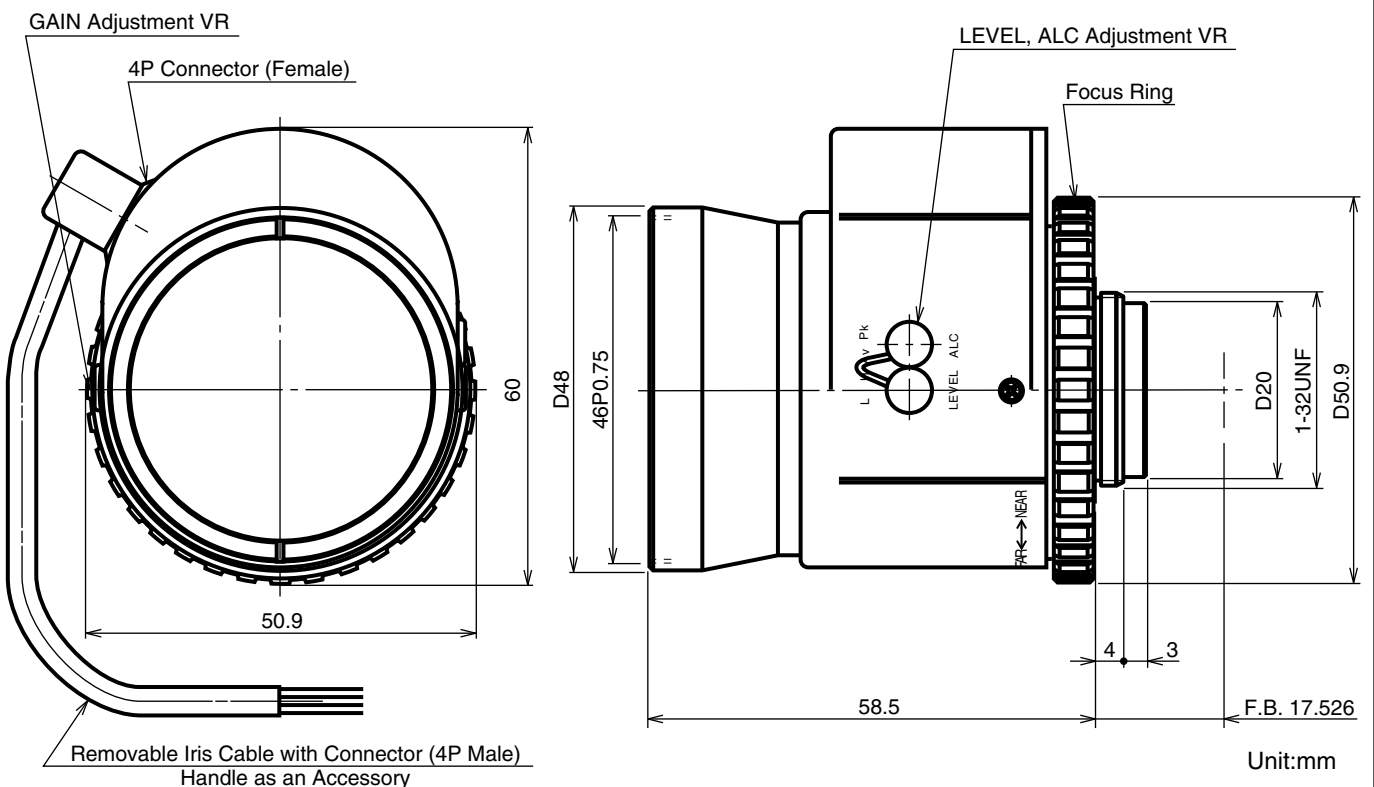
Focal Length : 75mm
 Maximum Relative Aperture : 1:1.8
 Iris : F1.8 - Approx. 360 (With ND Spot Filter)
 Sensitivity Adjustment : 0.5 - 1Vp-p(Image Signal)
 Angular Field of View : 9.7 X7.3 deg.
 Image Format : 12.8X9.6mm(D16mm)
 Minimum Object Distance : 0.8m(From Front Vertex)
 Object Dimensions at M.O.D. : 17.5X14.1cm
 Optical Back Focal Distance : 21.85mm(In Air)
 Flange Back : 17.526mm
 Input Signal : Composite Video Signal or Video Signal
 Photometry Range : Approx. 40% - 70% Variable to Vp-p

Input Impedance : High Impedance
 Operation : Focus : Manual
 Iris : EE (DC+8 to 16V : Fixed Voltage, Max40mA) Speed Within 4sec.(Auto Close System)
 EE Mechanism : The built-in EE Amp amplifies the difference between the video signal from the camera and the preset Iris signal level. It causes the Iris to change size.
 EE Accuracy : With Input Video Signal 0.7Vp-p Within+/-10% of Mean Value
 Operation Temperature : -10 to +50
 Mount : C-Mount(Adjustable Lens Position)
 Front Thread : 46mm P0.75
 Size, Weight : 60X50.9X58.5mm, Approx. 220g

[COMPOSITION]

- Lens1
- Lens Cap1
- Dust Cap1

[DIMENSIONS]



[CIRCUIT DIAGRAM]

