

TF2.3DC

[SPECIFICATIONS]

Image Size: $\frac{1}{3}$ $\frac{1}{4}$

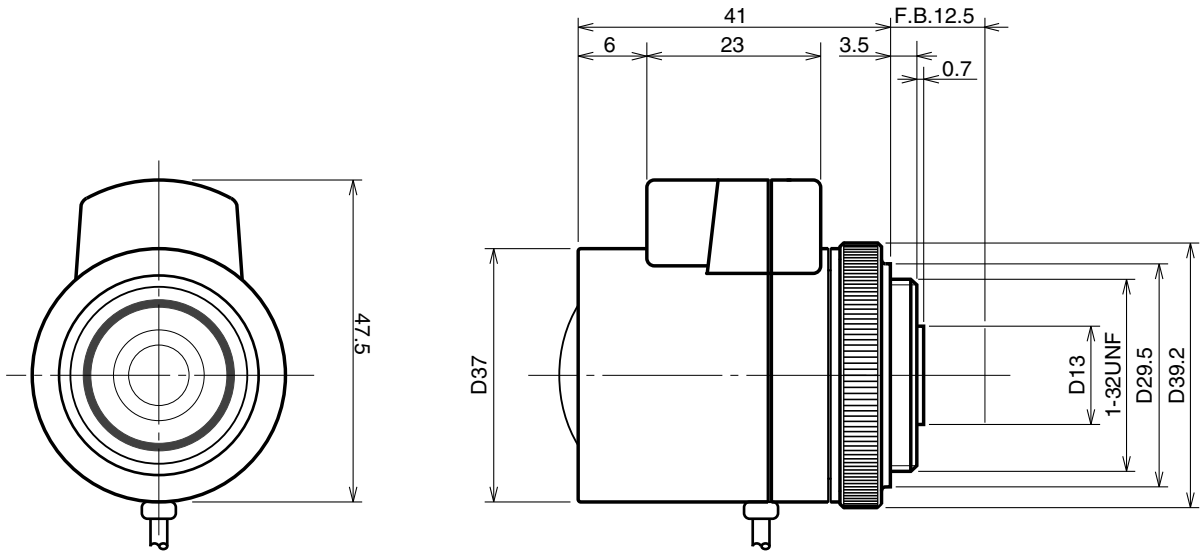
Focal Length : 2.3mm
 Maximum Relative Aperture : 1:1.4
 Iris : F1.4 - Approx.360
 Angular Field of View : 116.1X87.4 deg
 Image Format : 4.8X3.6mm(D6mm)
 Minimum Object Distance : 0.2m(From Front Vertex)
 Object Dimensions at M.O.D. : 64.1X38.2cm

Optical Back Focal Distance : 8.3mm(In Airs)
 Flange Back: 12.5mm
 Operation Voltage: Close to Open : Less than 4V
 Open to Close : More than 0V
 Operation : Focus : Manual
 Iris : IG(Auto Close System)
 Operation Temperature : -10 to +45
 Mount : CS-Mount(Adjustable Lens Position)
 Size, Weight : D37X47.5X41mm, Approx. 80g

[COMPOSITION]

- Lens1
- Lens Cap1
- Dust Cap1

[DIMENSIONS]



Unit:mm

[CIRCUIT DIAGRAM]

