

JF4.8DC

Image Size: $\frac{2}{3}$ $\frac{1}{2}$ $\frac{1}{3}$ $\frac{1}{4}$

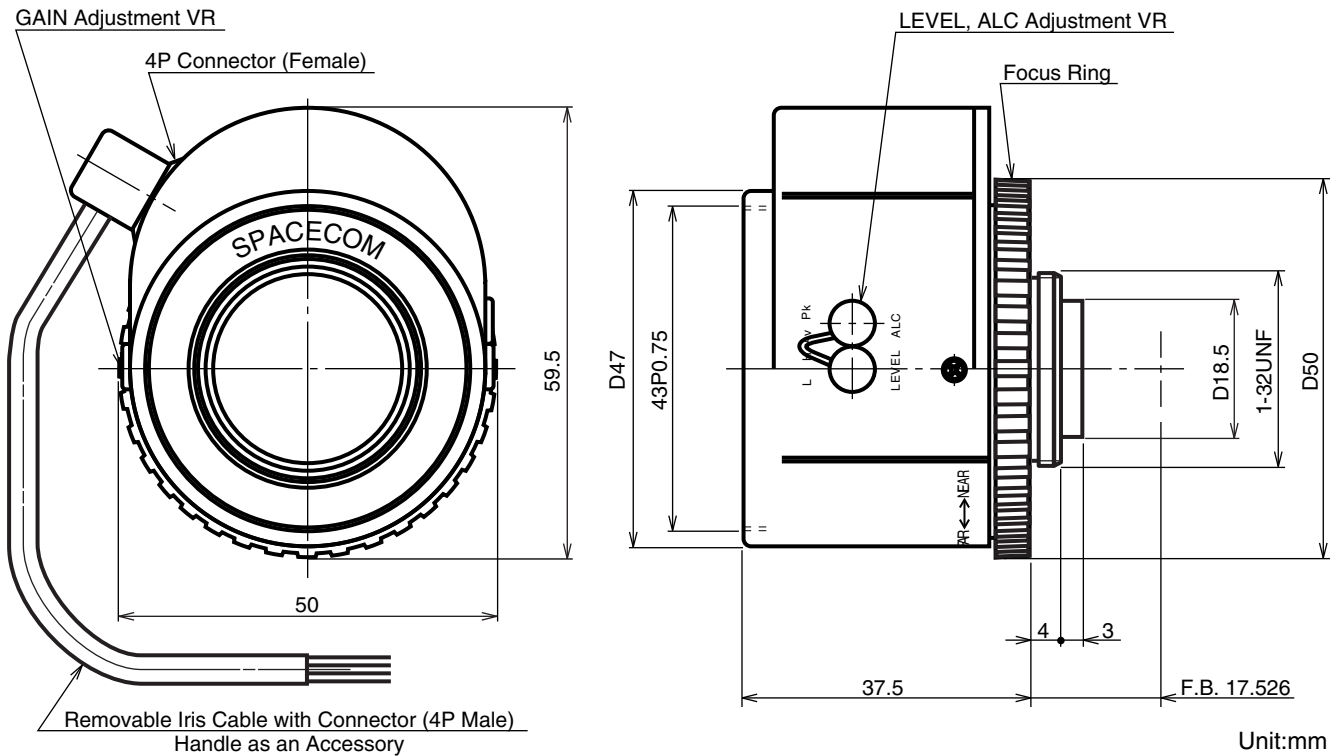
[SPECIFICATIONS]

Focal Length :	4.8mm	Flange Back :	17.526mm
Maximum Relative Aperture :	1:1.8	Operation Voltage :	Close to Open : Less than 3V Open to Close : More than 0.5V
Iris :	F1.8 - Approx. 360 (With ND Spot Filter)	Operation :	Focus : Manual Iris : IG(Auto Close System)
Angular Field of View :	85.0 X69.0 deg.	Operation Temperature :	-10 to +50
Image Format :	8.8X6.6mm(D8mm)	Mount :	C-Mount(Adjustable Lens Position)
Minimum Object Distance :	0.2m(From Front Vertex)	Front Thread :	43mm P0.75
Object Dimensions at M.O.D. :	39.4X29.6cm	Size, Weight :	59.5X50.0X37.5mm, Approx. 90g
Optical Back Focal Distance :	10.86mm(In Air)		

[COMPOSITION]

- Lens1
- Lens Cap1
- Dust Cap1

[DIMENSIONS]



[CIRCUIT DIAGRAM]

