

HF35DC

[SPECIFICATIONS]

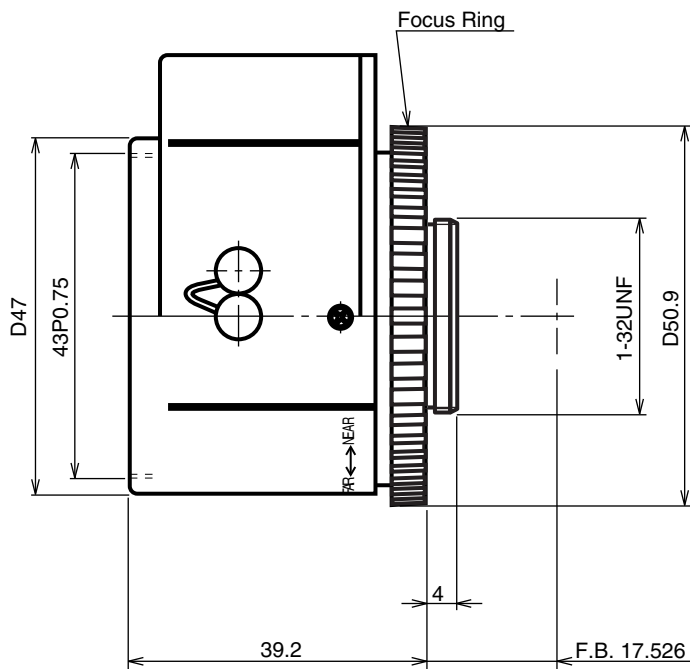
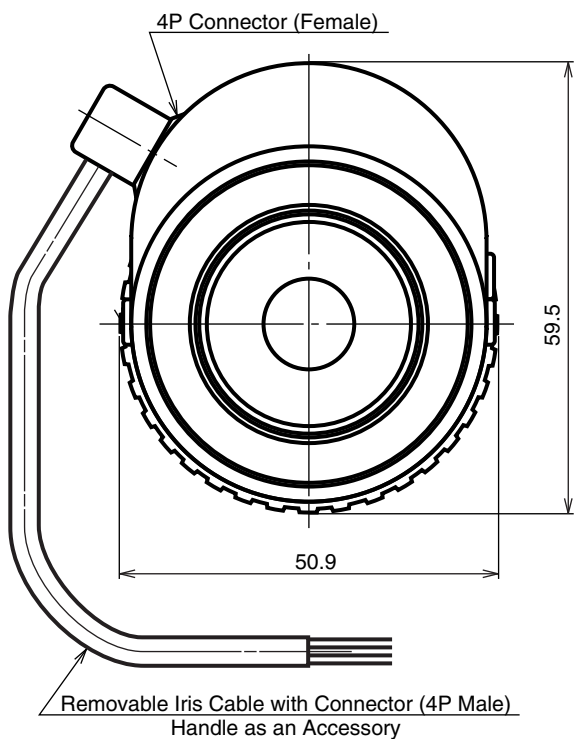
Image Size: $\frac{1}{2}$ $\frac{1}{3}$ $\frac{1}{4}$

Focal Length :	35mm	Flange Back :	17.526mm
Maximum Relative Aperture :	1:1.2	Operation Voltage :	Close to Open : Less than 3V Open to Close : More than 0.5V
Iris :	F1.2 - Approx. 360 (With ND Spot Filter)	Operation :	Focus : Manual Iris : IG(Auto Close System)
Angular Field of View :	10.4 X7.8 deg.	Operation Temperature :	-10 to +50
Image Format :	6.4X4.8mm(D8mm)	Mount :	C-Mount(Adjustable Lens Position)
Minimum Object Distance :	1.0m(From Front Vertex)	Front Thread :	43mm P0.75
Object Dimensions at M.O.D. :	21.1X17.5cm	Size, Weight :	59.5X50.9X39.2mm, Approx. 135g
Optical Back Focal Distance :	14.01mm(In Air)		

[COMPOSITION]

- Lens1
- Lens Cap1
- Dust Cap1

[DIMENSIONS]



Unit:mm

[CIRCUIT DIAGRAM]

