

HF3.5DC

Image Size: $\frac{1}{2}$ $\frac{1}{3}$ $\frac{1}{4}$

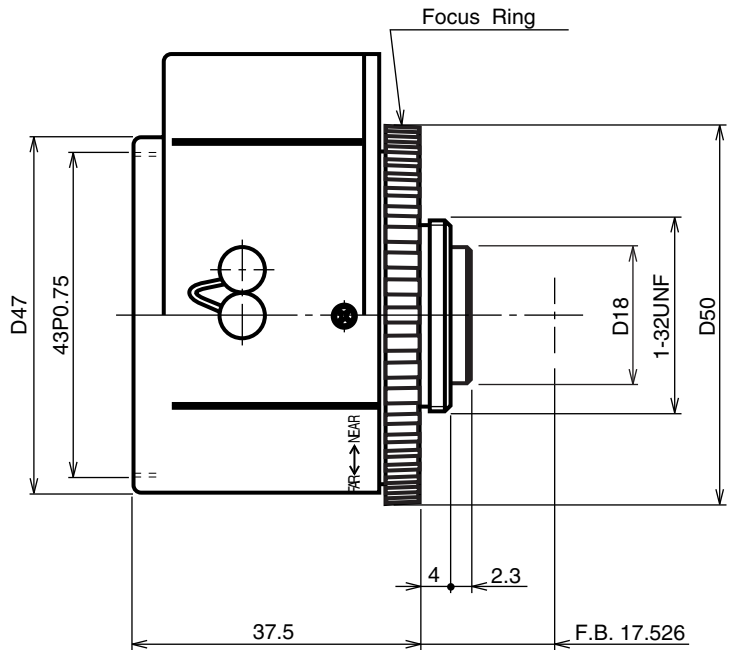
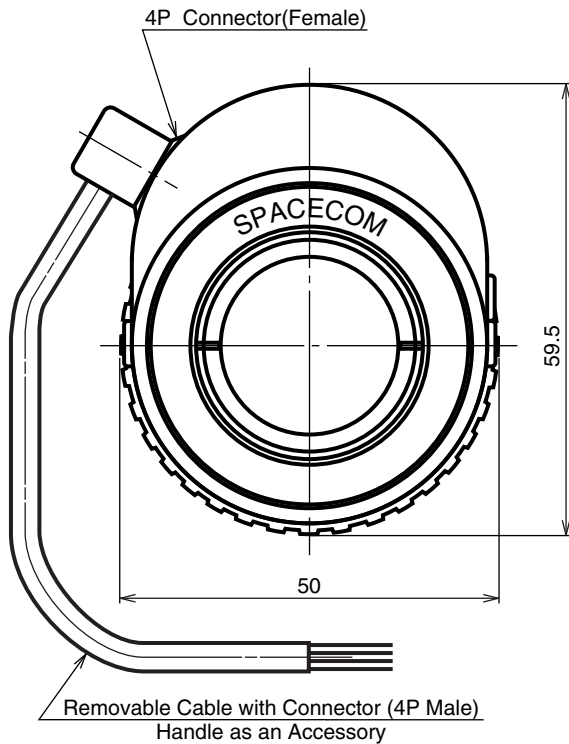
[SPECIFICATIONS]

Focal Length :	3.5mm	Flange Back :	17.526mm
Maximum Relative Aperture :	1:1.6	Operation Voltage :	Close to Open : Less than 3V Open to Close : More than 0.5V
Iris :	F1.6 - Approx. 360 (With ND Spot Filter)	Operation :	Focus : Manual Iris : IG(Auto Close System)
Angular Field of View :	84.9 X68.9 deg.	Operation Temperature :	-10 to +50
Image Format :	6.4X4.8mm(D8mm)	Mount :	C-Mount(Adjustable Lens Position)
Minimum Object Distance :	0.1m(From Front Vertex)	Front Thread :	43mm P0.75
Object Dimensions at M.O.D. :	20.6X16.0cm	Size, Weight :	59.5X50X37.5mm, Approx. 85g
Optical Back Focal Distance :	11.45mm(In Air)		

[COMPOSITION]

- Lens1
- Lens Cap1
- Dust Cap1

[DIMENSIONS]



Unit:mm

[CIRCUIT DIAGRAM]

