

# TV5100DC

[SPECIFICATIONS]

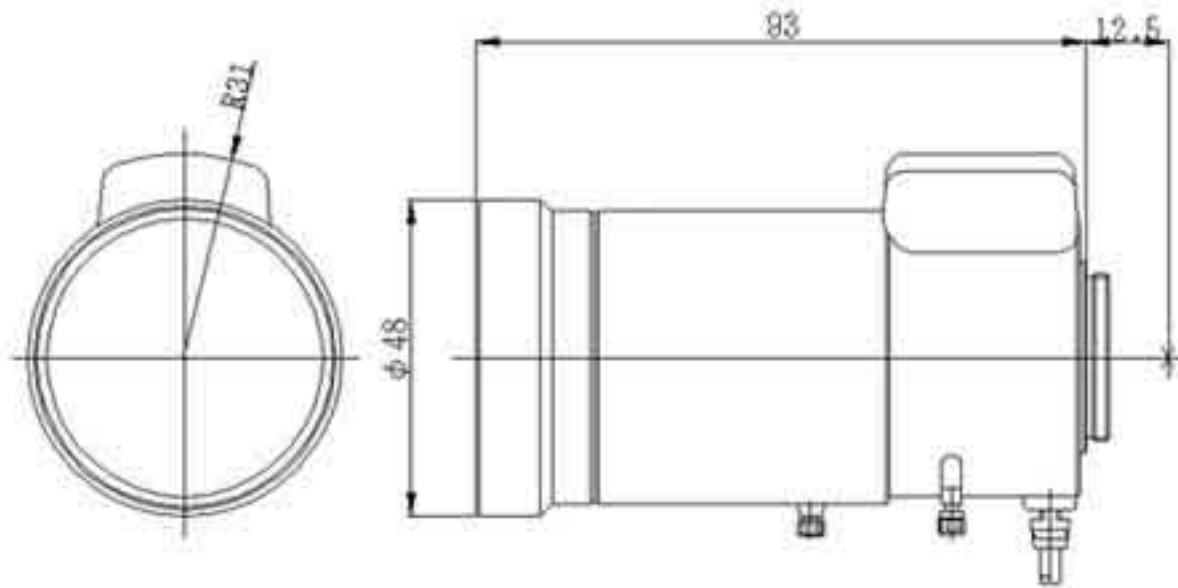
IMAGE SIZE: ①/③

FOCAL LENGTH :	5~100mm	OPERATION VOLTAGE :	Close TO Open : LESS THAN 4V Open TO Close : MORE THAN 0V
MAXIMUM RELATIVE APERTURE :	1:1.6	OPERATION :	FOCUS : MANUAL ZOOM : MANUAL IRIS : IG
IRIS :	F1.6 - 360	OPERATION TEMPERATURE :	-10 to +50 C
ANGULAR FIELD OF VIEW :	AT 5mm 52.7 X 40.0deg. AT 100mm 2.8X 2.1 deg.	MOUNT :	CS-MOUNT (ADJUSTABLE LENS POSITION)
IMAGE FORMAT :	4.8X3.6mm (D6mm)	WEIGHT :	Approx190g
MINIMUM OBJECT DISTANCE :	0.3m (FROM FRONT VERTEX)		
BACK FOCUS :	10.65 - 11.30mm (In Air)		
FLANGE BACK :	12.5mm		

[COMPOSITION]

- LENS . . . . .1
- LENS CAP . . . . .1
- DUST CAP . . . . .1

[DIMENSIONS]



Unit:mm

[CIRCUIT DIAGRAM]

