

JZ95152RAI

Image Size: $\frac{2}{3}$ $\frac{1}{2}$ $\frac{1}{3}$ $\frac{1}{4}$

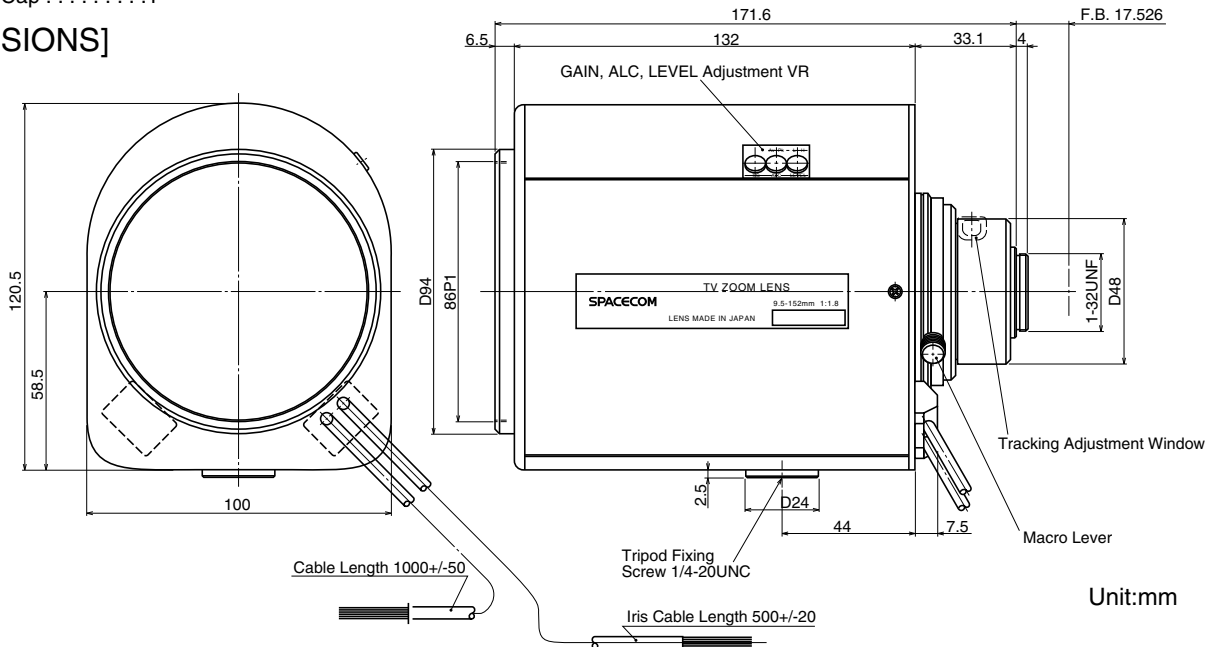
[SPECIFICATIONS]

Focal Length :	9.5 - 152mm	Input Signal :	Composite Video Signal or Video Signal
Maximum Relative Aperture :	1:1.8 at 9.5 - 110mm 1:2.3 at 152mm	Photometry Range :	Approx. 40% - 70% Variable to Vp-p
Iris :	F1.8 - Approx. 360 (With ND Spot Filter)	Input Impedance :	High Impedance
Zoom Ratio :	16X	Operation : Zoom :	Motorized(DC+/-6.4V, Max80mA) Speed Approx. 6sec.
Sensitivity Adjustment :	0.5 - 1.0Vp-p(Image Signal)	Focus :	Motorized(DC+/-6.4V, Max80mA) Speed Approx. 10sec.
Angular Field of View :	49.7 X38.3 deg. at 9.5mm 3.3 X 2.5 deg. at 152mm	Iris :	EE(DC+8.5 to 16V : Fixed Voltage, Max60mA) Speed Within 3sec.
Image Format :	8.8X6.6mm(D11mm)	EE Mechanism :	The built-in EE Amp amplifies the difference between the video signal from the camera and the preset Iris signal level. It causes the Iris to change size.
Minimum Object Distance :	1.0m(From Front Vertex) 22mm at Macro	EE Accuracy :	With Input Video Signal 0.7Vp-p within+/-15% of Mean Value
Object Dimensions at M.O.D. :	84.3X63.4cm at 9.5mm 6.3X 4.7cm at 152mm 8.1X 5.9cm at Macro	Operation Temperature :	-10 to +50
Optical Back Focal Distance :	20.15mm(In Air)	Mount :	C-Mount(Adjustable Lens Position)
Flange Back :	17.526mm	Front Thread :	86mm P1
		Size, Weight :	120.5X100X171.6mm, Approx. 1.5kg

[COMPOSITION]

- Lens1
- Lens Cap1
- Dust Cap1

[DIMENSIONS]



Unit:mm

[CIRCUIT DIAGRAM]

