

# JZ95152BR

Motorized Zoom Lens for 3CCD Camera

Image Size:  $\frac{2}{3}$   $\frac{1}{2}$   $\frac{1}{3}$   $\frac{1}{4}$

**[SPECIFICATIONS]**

Focal Length : 9.5 - 152mm  
 Maximum Relative Aperture : 1:1.8  
 Iris : F1.8 - Close  
 Zoom Ratio : 16X  
 Angular Field View : 49.7 X38.3 deg. at 9.5mm  
 3.3 X 2.5 deg. at 152mm  
 Image Format : 8.8X6.6mm(D11mm)  
 Minimum Object Distance : 1.0m(From Front Vertex)  
 22mm at Macro  
 Object Dimensions at M.O.D : 92.6X69.5cm at 9.5mm  
 5.8X 4.4cm at 152mm

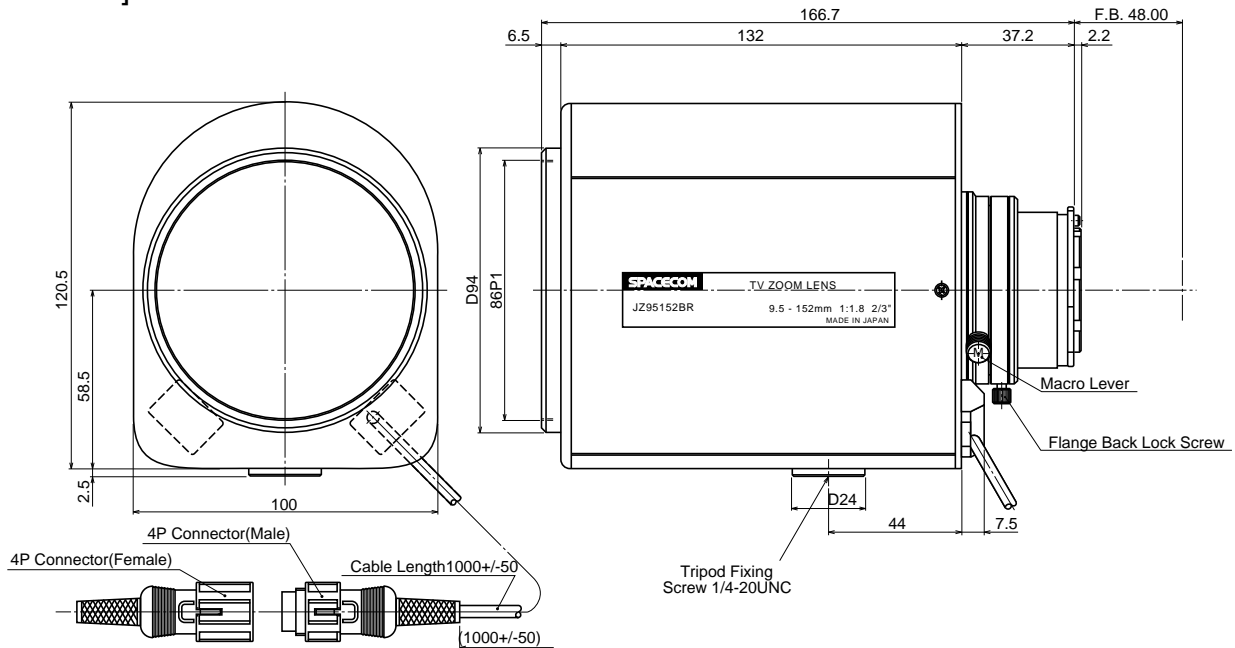
Optical Back Focal Distance : 39.05mm(In Air)  
 Flange Back : 48.00mm  
 Operation : Zoom : Motorized(DC+/-6.4V, Max80mA)  
 Speed Approx. 9sec.  
 Focus : Motorized(DC+/-6.4V, Max80mA)  
 Speed Approx. 17sec.  
 Iris : Motorized(DC+/-6.4V, Max50mA)  
 Speed Approx. 2.5sec.  
 Operation Temperature : -10 to +50  
 Mount : Bayonet-Mount  
 Front Thread : 86mm P1  
 Size , Weigt : 120.5X100X166.7mm, Approx.1.5 Kg

**[COMPOSITION]**

- Lens ..... 1
- Lens Cap ..... 1
- Dust Cap ..... 1

- 4-Conductor Connector(Female) ..... 1  
 (Any 4-conductor cable of external dia 6mm to be prepared separately)

**[DIMENSIONS]**



**[CIRCUIT DIAGRAM]**

