

JZ1169R

Image Size: $\frac{2}{3}$ $\frac{1}{2}$ $\frac{1}{3}$ $\frac{1}{4}$

[SPECIFICATIONS]

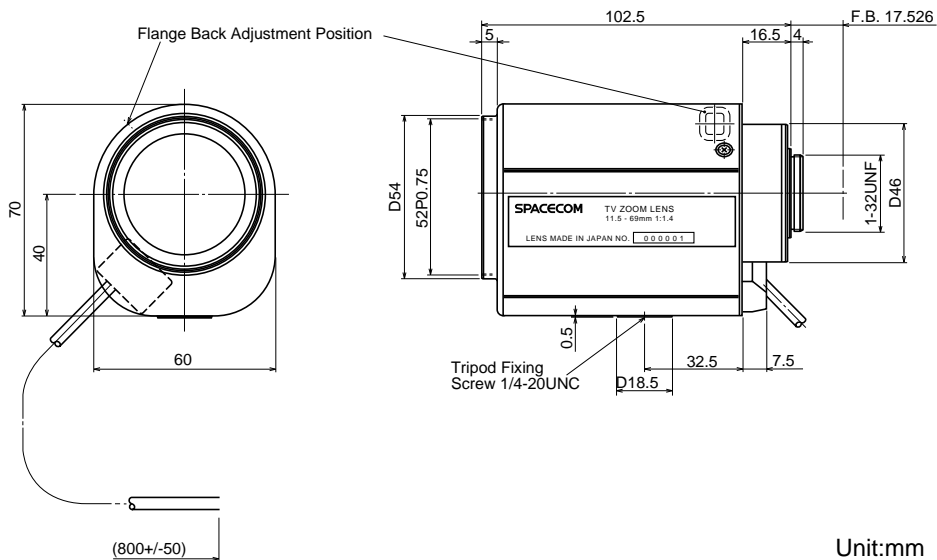
Focal Length : 11.5 - 69mm
 Maximum Relative Aperture : 1:1.4
 Iris : F1.4 - Close
 Zoom Ratio : 6X
 Angular Field of View : 41.9 X32.0 deg. at 11.5mm
 7.3 X 5.5 deg. at 69mm
 Image Format : 8.8X6.6mm(D11mm)
 Minimum Object Distance : 1.0m(From Front Vertex)
 Object Dimensions at M.O.D. : 72.8X54.6cm at 11.5mm
 12.8X 9.6cm at 69mm
 Optical Back Focal Distance : 17.93mm(In Air)

Flange Back : 17.526mm
 Operation : Zoom : Motorized(DC+/-6.4V, Max40mA)
 Speed Approx. 6sec.
 Focus : Motorized(DC+/-6.4V, Max40mA)
 Speed Approx. 7sec.
 Iris : Motorized(DC+/-6.4V, Max40mA)
 Speed Approx. 3.5sec.
 Operation Temperature : -10 to +50
 Mount : C-Mount(Adjustable Lens Position)
 Front Thread : 52mm P0.75
 Size, Weight : 70X60X102.5mm, Approx. 500g

[COMPOSITION]

Lens1
 Lens Cap1
 Dust Cap1

[DIMENSIONS]



[CIRCUIT DIAGRAM]

