

HZ10200RDC-II

Image Size: $\frac{1}{2}$ $\frac{1}{3}$ $\frac{1}{4}$

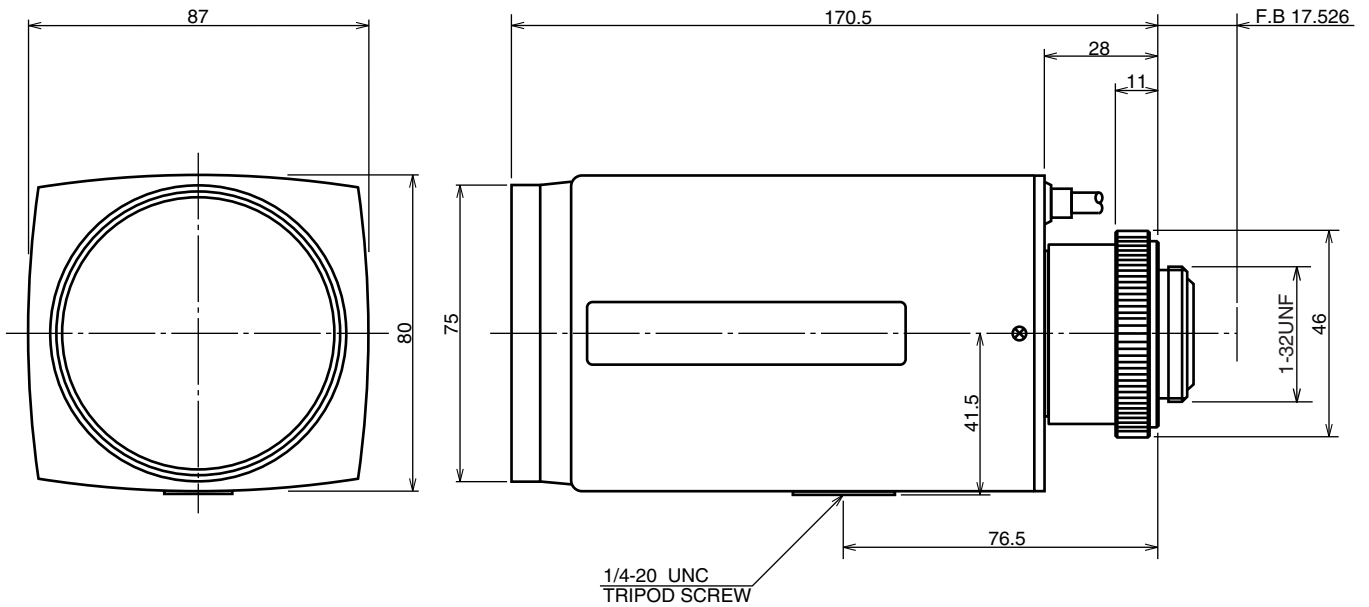
【SPECIFICATIONS】

| | | | |
|-------------------------------|---|-------------------------|---------------------------------|
| Focal Length : | 10 - 200mm | Flange Back: | 17.526mm |
| Maximum Relative Aperture : | 1:1.9 | Operation : Zoom : | Motorized(DC8V, Max30mA) |
| Iris : | F1.9-Approx.360 | Focus : | Motorized(DC8V, Max30mA) |
| Zoom Ratio : | 20X | Iris : | IG(Auto Close System) |
| Angular Field of View : | 32.1 × 24.3 deg. at 10mm 1.9 × 1.4 deg. at 200mm | Operation Temperature : | -10 ~ +50 |
| Image Format : | 6.4 × 4.8mm(8mm) | Mount : | C-Mount |
| Minimum Object Distance : | 1.5m(From Front Vertex) | Front Thread : | 72mm P0.75 |
| Optical Back Focal Distance : | 10.21mm(In Air) | Size , Weight : | 87 × 80 × 170.5mm, Approx .880g |

【COMPOSITION】

Lens1
Lens Cap1
Dust Cap1

【DIMENSIONS】



Unit:mm

【CIRCUIT DIAGRAM】

