

HZ8136R-2

Image Size: $\frac{1}{2}$ $\frac{1}{3}$

[SPECIFICATIONS]

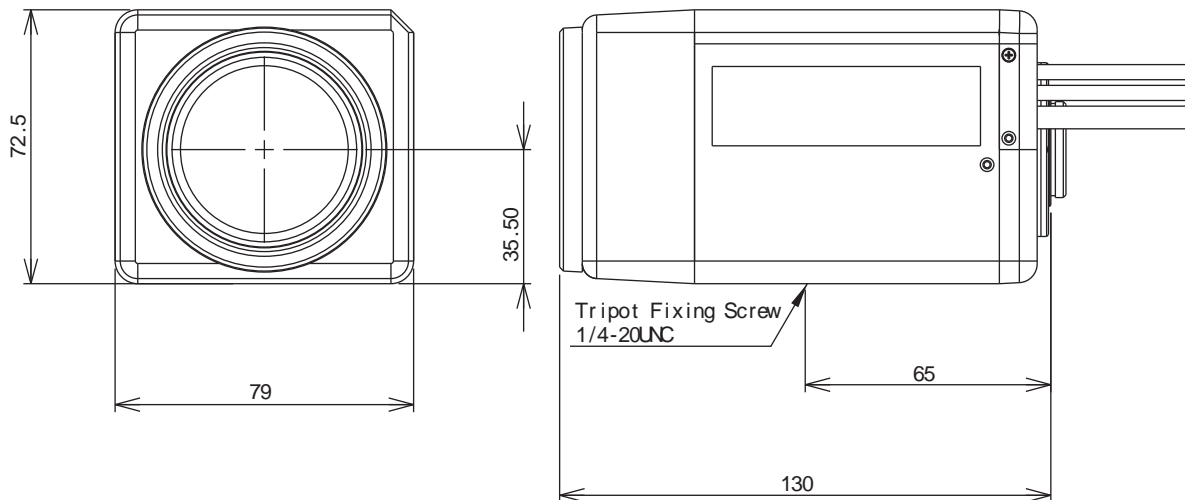
| | | | |
|-------------------------------|---|-------------------------|--|
| Focal Length : | 8 - 136mm | Flange Back : | 17.526mm |
| Maximum Relative Aperture : | 1:1.6 | Operation : Zoom : | Motorized(DC+/-6.4V, Max40mA) Speed Approx. 6.5sec. |
| Iris : | F1.6 - Close | Focus : | Motorized(DC+/-6.4V, Max40mA) Speed Approx. 6.0sec. |
| Zoom Ratio : | 17X | Iris : | Motorized(DC+/-6.4V, Max40mA) Speed Approx. 3.5sec. |
| Angular Field of View : | 43.6 X33.4 deg. at 8.0mm 2.7 X 2.0 deg. at 136mm | Operation Temperature : | -10 to +50 |
| Image Format : | 6.4X4.8mm(D8mm) | Mount : | C-Mount(Adjustable Lens Position) |
| Minimum Object Distance : | 1.8m(From Front Vertex) | Front Thread : | 58mm P0.75 |
| Object Dimensions at M.O.D. : | 144.0X108.0cm at 8.0mm 8.5X 6.3cm at 136mm | Size, Weight : | 72.5X79X130mm |
| Optical Back Focal Distance : | 19.33mm(In Air) | | |

[COMPOSITION]

Lens1
Lens Cap1
Dust Cap1

4-Conductor Connector(Female)1
(Any 4-conductor cable of external dia 6mm to be prepared separately.)

[DIMENSIONS]



Unit:mm

[CIRCUIT DIAGRAM]

