

# HZ7112BR

Motorized Zoom Lens for 3CCD Camera

Image Size:  $\frac{1}{2}$   $\frac{1}{3}$   $\frac{1}{4}$

**[SPECIFICATIONS]**

Focal Length : 7 - 112mm  
 Maximum Relative Aperture : 1:1.4  
 Iris : F1.4 - Close  
 Zoom Ratio : 16X  
 Angular Field of View : 49.1 X37.8 deg. at 7mm  
 3.3 X 2.5 deg. at 112mm  
 Image Format : 6.4X4.8mm(D8mm)  
 Minimum Object Distance : 1.0m(From Front Vertex)  
 22mm at Macro  
 Object Dimensions at M.O.D : 91.4X68.5cm at 7mm  
 5.8X 4.4cm at 112mm

Optical Back Focal Distance : 39.87mm(In Air)  
 Flange Back : 35.74mm  
 Operation : Zoom : Motorized(DC+/-6.4V, Max80mA)  
 Speed Approx 9sec.  
 Focus : Motorised(DC+/-6.4V, Max80mA)  
 Speed Approx 17sec.  
 Iris : Motorised(DC+/-6.4V, Max50mA)  
 Speed Approx 2.5sec.  
 Operation Temperature : -10 to +50  
 Mount : Bayonet-Mount  
 Front Thread : 86mm P1  
 Size , Weight : 120.5X100X175.7mm, Approx1.5 Kg

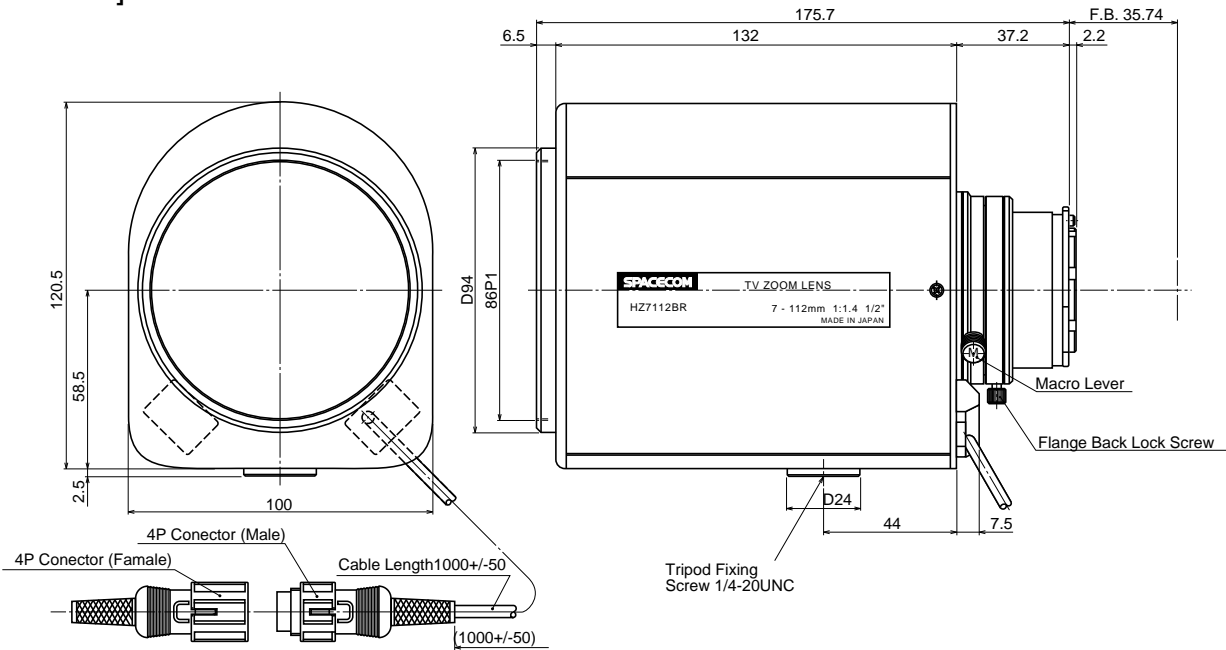
**[COMPOSITION]**

- Lens ..... 1
- Lens Cap ..... 1
- Dust Cap ..... 1

4-Conductor Connector(Female) ..... 1

(Any-4 conductor cable of external dia 6mm to be prepared separately.)

**[DIMENSIONS]**



**[CIRCUIT DIAGRAM]**

