

# HZ65104RAI

Image Size:  $\textcircled{1/2}$   $\textcircled{1/3}$   $\textcircled{1/4}$

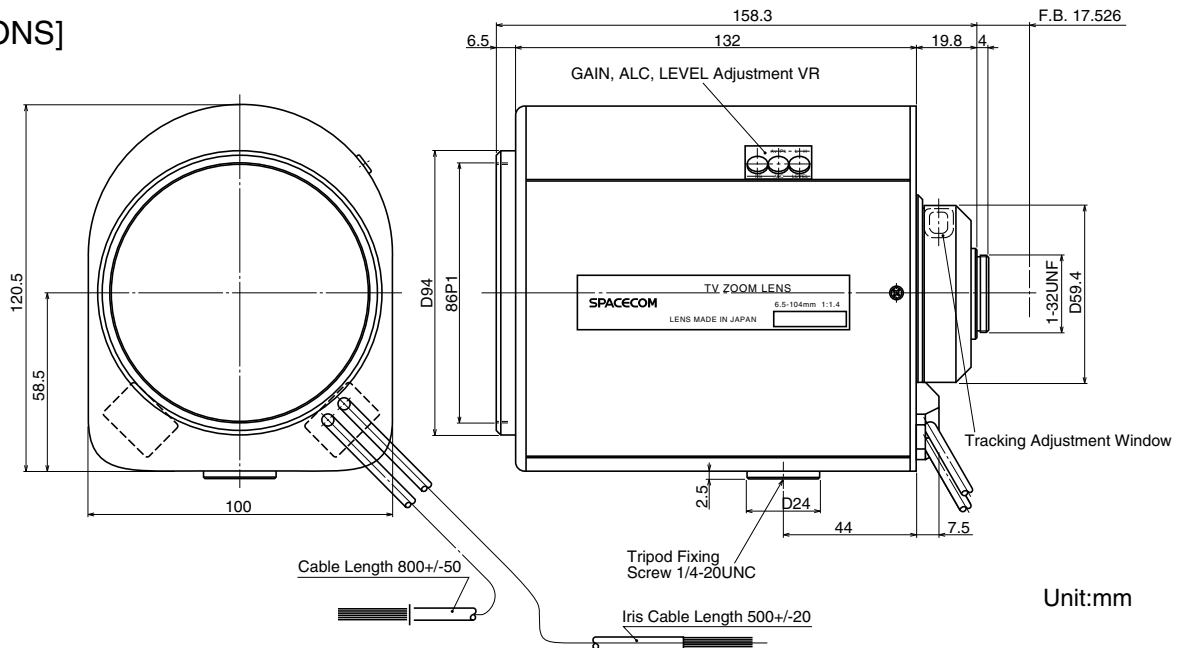
## [SPECIFICATIONS]

Focal Length :	6.5 - 104mm	Photometry Range :	Approx. 40% - 70% Variable to Vp-p
Maximum Relative Aperture :	1:1.4 at 6.5 - 80mm 1:1.6 at 104mm	Input Impedance :	High Impedance
Iris :	F1.4 - Approx. 360 (With ND Spot Filter)	Operation : Zoom :	Motorized(DC+/-6.4V, Max80mA) Speed Approx. 6sec.
Zoom Ratio :	16X	Focus :	Motorized(DC+/-6.4V, Max80mA) Speed Approx. 10sec.
Sensitivity Adjustment :	0.5 - 1.0Vp-p(Image Signal)	Iris :	EE(DC+8.5 to 16V : Fixed Voltage, Max60mA) Speed Within 3sec.
Angular Field of View :	52.4 X40.5 deg. at 6.5mm 3.5 X 2.6 deg. at 104mm	EE Mechanism :	The built-in EE Amp amplifies the difference between the video signal from the camera and the preset Iris signal level. It causes the Iris to change size.
Image Format :	6.4X4.8mm(D8mm)	EE Accuracy :	With Input Video Signal 0.7Vp-p within+/-15% of Mean Value
Minimum Object Distance :	1.5m(From Front Vertex)	Operation Temperature :	-10 to +50
Object Dimensions at M.O.D. :	147.6X110.9cm at 6.5mm 9.7X 6.8cm at 104mm	Mount :	C-Mount(Adjustable Lens Position)
Optical Back Focal Distance :	16.14mm(In Air)	Front Thread :	86mm P1
Flange Back :	17.526mm	Size, Weight :	120.5X100X158.3mm, Approx. 1.5kg
Input Signal :	Composite Video Signal or Video Signal		

## [COMPOSITION]

- Lens .....1
- Lens Cap .....1
- Dust Cap .....1

## [DIMENSIONS]



Unit:mm

## [CIRCUIT DIAGRAM]

