

[SPEC F CAT DNS] 3.6Megapixel motorized Zoom Lens

Image Size: $\frac{2}{3}$ $\frac{1}{2}$ $\frac{1}{3}$

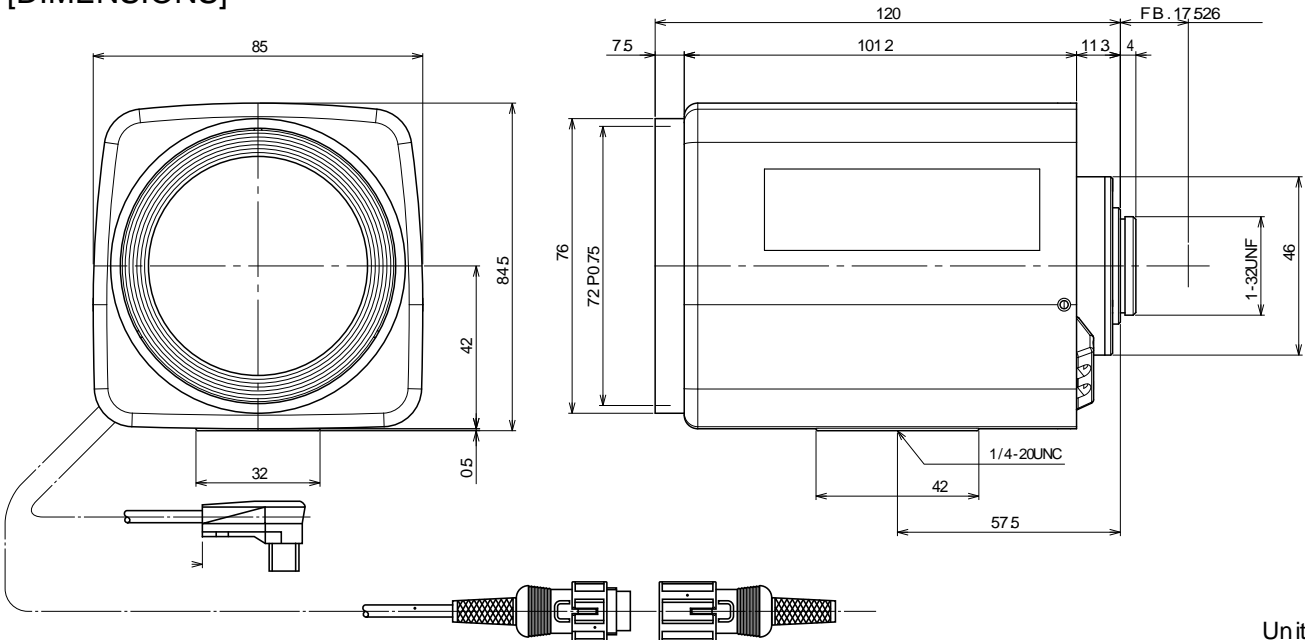
Focal Length :	11 - 66mm	Flange Back :	17.526mm
Maximum Relative Aperture :	1:1.8 (Tele End 1:1.8)	Operation : Zoom :	Motorized(DC+/-6.4V, Max45mA) Speed Approx. 8.0sec.
Iris :	F1.8-Apporox.360W ith ND Spot Filter)	Focus :	Motorized(DC+/-6.4V, Max45mA) Speed Approx. 8.5sec.
Zoom Ratio :	6X	Iris :	IG(Auto Close System) Close to Open : Less than 4V Open to Close : More than 0.5V Speed Within 6sec.
Angular Field of View :	43.3 X 33.0 deg. at 11mm 7.7 X 5.8 deg. at 66mm	Operation Temperature :	-10 to +50
Image Format :	8.8 X 6.6mm (D11mm)	Mount :	C-Mount (Adjustable Lens Position)
Minimum Object Distance :	1.4m (From Front Vertex)	Front Thread :	72mm P0.75
Object Dimensions at M.O.D. :	111.1 X 82.9cm at 11mm 18.8 X 14.2cm at 66mm	Size, Weight :	84.5X85X120mm, Approx. 700g
Optical Back Focal Distance :	15.28mm (In Air)		

[COMPOSITION]

Lens1
Lens Cap1
Dust Cap1

4-Conductor Connector(Female)1
(Any 4-conductor cable of external dia 6mm to be prepared separately.)

[DIMENSIONS]



Unit:mm

[CIRCUIT DIAGRAM]

