

TZ660R

[SPECIFICATIONS] F1.0 Motorized Zoom Lens

Image Size: $\frac{1}{3}$ $\frac{1}{4}$

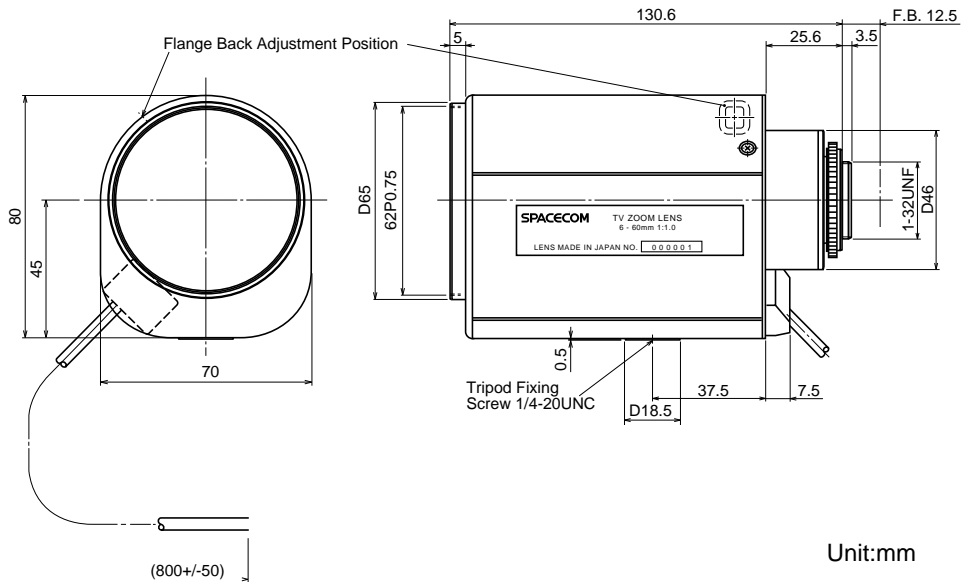
Focal Length : 6 - 60mm
 Maximum Relative Aperture : 1:1.0
 Iris : F1.0 - Close
 Zoom Ratio : 10X
 Angular Field of View : 43.6 X33.4 deg. at 6mm
 4.6 X 3.4 deg. at 60mm
 Image Format : 4.8X3.6mm(D6mm)
 Minimum Object Distance : 1.2m(From Front Vertex)
 Object Dimensions at M.O.D. : 96.0X72.0cm at 6mm
 9.6X 7.1cm at 60mm
 Optical Back Focal Distance : 14.28mm(In Air)

Flange Back : 12.5mm
 Operation : Zoom : Motorized(DC+/-6.4V, Max40mA)
 Speed Approx. 6sec.
 Focus : Motorized(DC+/-6.4V, Max40mA)
 Speed Approx. 7sec.
 Iris : Motorized(DC+/-6.4V, Max40mA)
 Speed Approx. 3.5sec.
 Operation Temperature : -10 to +50
 Mount : CS-Mount(Adjustable Lens Position)
 Front Thread : 62mm P0.75
 Size, Weight : 80X70X130.6mm, Approx. 700g

[COMPOSITION]

- Lens1
- Lens Cap1
- Dust Cap1

[DIMENSIONS]



[CIRCUIT DIAGRAM]

