

HZ8136RDC-2

[SPECIFICATIONS]

Image Size: $\frac{1}{2}$ $\frac{1}{3}$

Focal Length : 8 - 136mm
 Maximum Relative Aperture : 1:1.6
 Iris : F1.6 - Approx. 360 (With ND Spot Filter)
 Zoom Ratio : 17X
 Angular Field of View : 43.6 X33.4 deg. at 8.0mm
 2.7 X 2.0 deg. at 136mm
 Image Format : 6.4X4.8mm(D8mm)
 Minimum Object Distance : 1.8m(From Front Vertex)
 Object Dimensions at M.O.D. : 144.0X108.0cm at 8.0mm
 8.5X 6.3cm at 136mm
 Optical Back Focal Distance : 19.33mm(In Air)

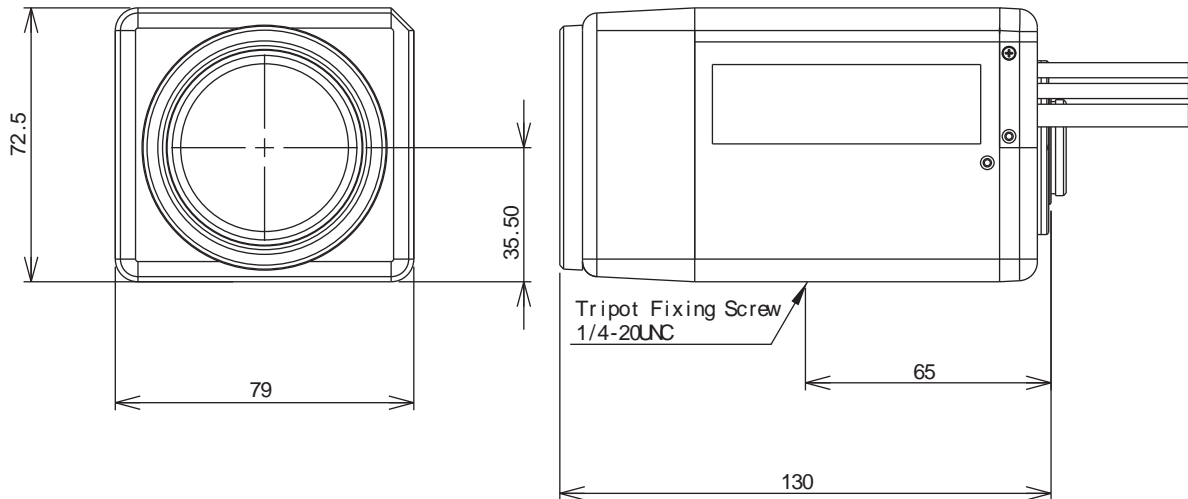
Flange Back : 17.526mm
 Operation : Zoom : Motorized(DC+/-6.4V, Max40mA)
 Speed Approx. 4.5sec.
 Focus : Motorized(DC+/-6.4V, Max40mA)
 Speed Approx. 3.2sec.
 Iris : IG (Auto Close System)
 Close to Open : Less than 4.0V
 Open to Close : Less than 0.1V
 Speed within 4sec.
 Operation Temperature : -10 to +50
 Mount : C-Mount(Adjustable Lens Position)
 Front Thread : 58mm P0.75
 Size, Weight : 72.5X79X130mm

[COMPOSITION]

Lens1
 Lens Cap1
 Dust Cap1

4-Conductor Connector(Female)1
 (Any 4-conductor cable of external dia 6mm to be prepared separately.)

[DIMENSIONS]



[CIRCUIT DIAGRAM]

Unit:mm

