

HD410DC

[SPECIFICATIONS]

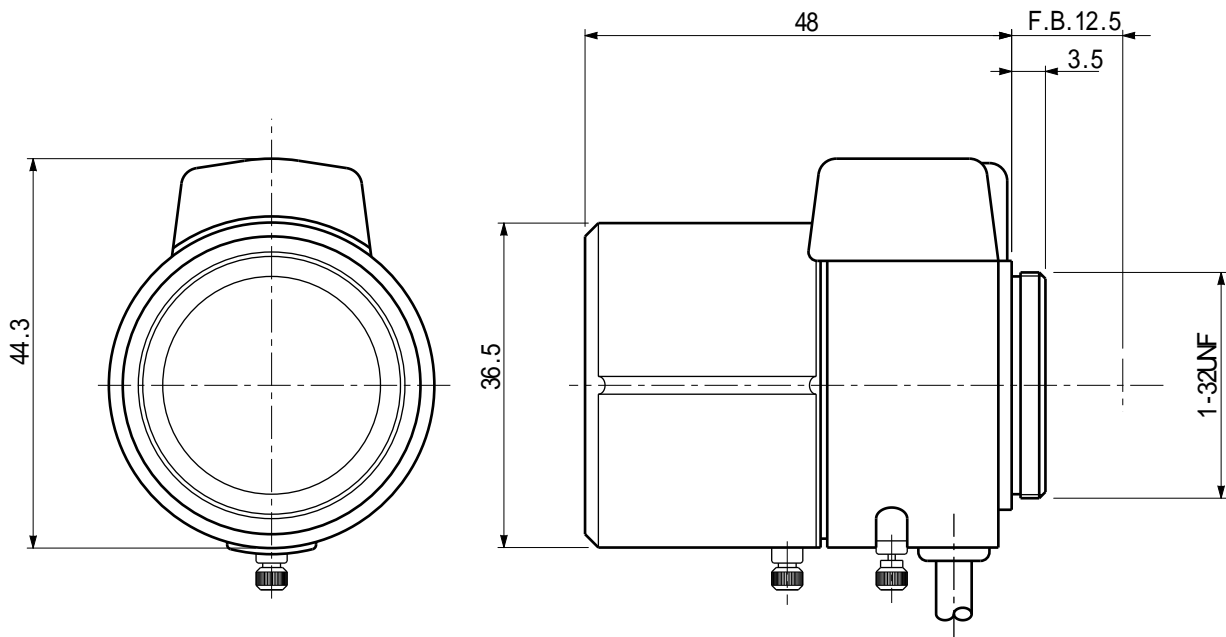
Image Size: $\frac{1}{2}$ $\frac{1}{3}$ $\frac{1}{4}$

Focal Length :	4~10mm	Optical Back Focal Distance : 8.27mm (In Air)
Maximum Relative Aperture : 1:1.8		Flange Back : 12.5mm
Iris :	F1.8~Close	Operation : Focus : Manual Zoom : Manual Iris : DC
Angular Field of View :	94.8° × 69.0° at 4mm 37.3° × 28.0° at 10mm	Operation Temperature : -10~+45°C
Image Format :	6.4 × 4.8mm (φ8mm)	Mount : CS-Mount (Adjustable Lens Position)
Minimum Object Distance :	0.3m (From Front Vertex)	Size, Weight : φ36.5 × 48mm 90g

[COMPOSITION]

Lens1
Lens Cap.....1
Dust Cap.....1

[DIMENSIONS]



Unit:mm