

TF8NI

Image Size: $\frac{1}{3}$ $\frac{1}{4}$

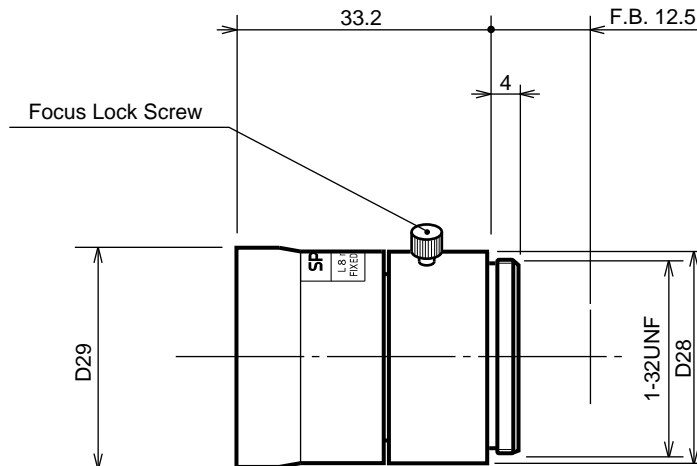
[SPECIFICATIONS]

Focal Length :	8mm	Optical Back Focal Distance :	10.7mm(In Air)
Maximum Relative Aperture :	1:1.2	Flange Back :	12.5mm
Iris :	Without Diaphragm	Operation :	Without Focus Ring Focus Adjustment is Available by F.B Adjustment Ring
Angular Field of View :	37.5 X27.7 deg.	Operation Temperature :	-10 to +50
Image Format :	4.8X3.6mm(D6mm)	Mount :	CS-Mount
Minimum Object Distance :	0.1m(From Front Vertex)	Size, Weight :	D29X33.2mm, Approx. 35g
Object Dimensions at M.O.D. :	7.9X6.0cm		

[COMPOSITION]

Lens1
Lens Cap1
Dust Cap1

[DIMENSIONS]



Unit:mm