

TF2.3DC

Image Size: $\frac{1}{3}$ $\frac{1}{4}$

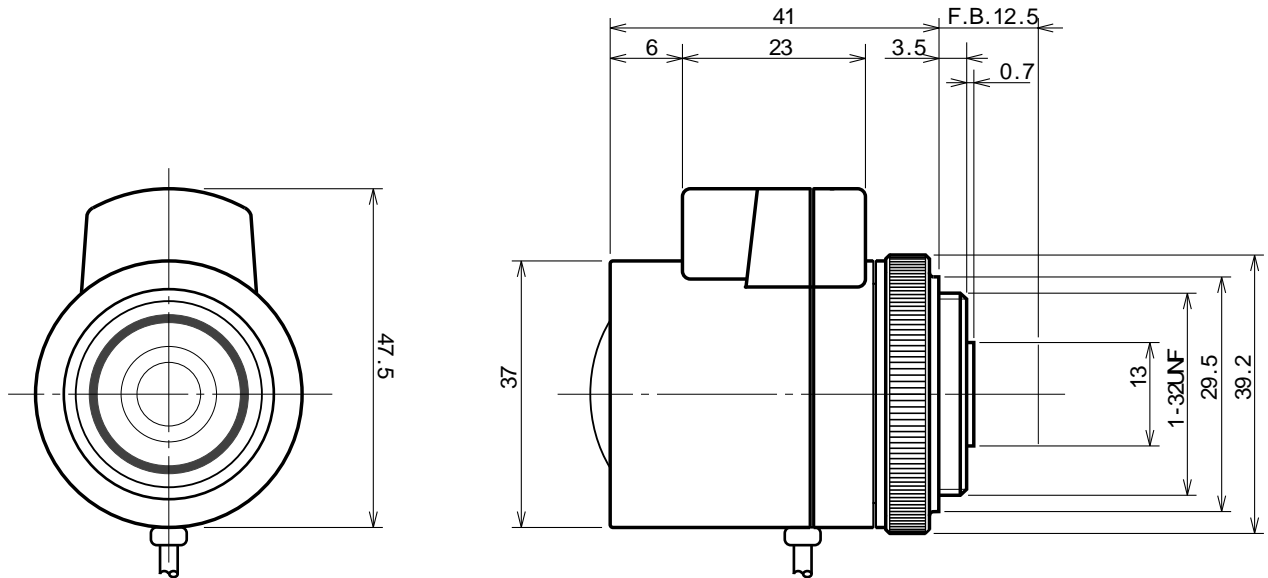
[SPECIFICATIONS]

Focal Length :	2.3mm	Flange Back :	12.5mm
Maximum Relative Aperture :	1:1.4	Operation Voltage :	Close to Open : Less than 4V Open to Close : More than 0V
Iris :	F1.4 - Approx. 360 (With Attenuator)	Operation :	Focus : Manual Iris : IG (Auto Close System)
Angular Field of View :	116.1 X 87.4 deg	Operation Temperature :	-10 to +50 C
Image Format :	4.8 X 3.6 mm (D6mm)	Mount :	CS-Mount (Adjustable Lens Position)
Minimum Object Distance :	0.2 m (From Front Vertex)	Front Thread :	--
Object Dimensions at M.O.D. :	21.1 X 38.2 cm	Size :	37 X 47.5 X 41mm
Optical Back Focal Distance :	8.3 mm (In Air)		

[COMPOSITION]

Lens1
Lens Cap1
Dust Cap1

[DIMENSIONS]



Unit:mm

[CIRCUIT DIAGRAM]

