

JF7.5M

Image Size: $\frac{2}{3}$ $\frac{1}{2}$ $\frac{1}{3}$ $\frac{1}{4}$

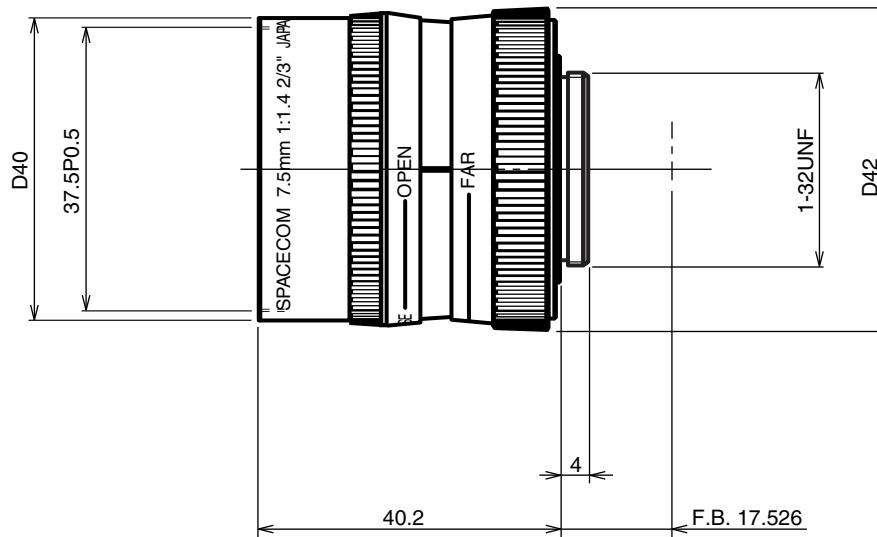
[SPECIFICATIONS]

Focal Length :	7.5mm	Flange Back :	17.526mm
Maximum Relative Aperture :	1:1.4	Operation :	Focus : Manual Iris : Manual
Iris :	F1.4 - Close	Operation Temperature :	-10 to +50
Angular Field of View :	60.8 X47.5 deg.	Mount :	C-Mount
Image Format :	8.8X6.6mm(D11mm)	Front Thread :	37.5mm P0.5
Minimum Object Distance :	0.2m(From Front Vertex)	Size, Weight :	D42X40.2mm, Approx. 70g
Object Dimensions at M.O.D. :	26.0X19.5cm		
Optical Back Focal Distance :	13.57mm(In Air)		

[COMPOSITION]

- Lens1
- Lens Cap1
- Dust Cap1

[DIMENSIONS]



Unit:mm