

# JF7.5DC

7.5mm 1:1.4

Image Size:  $\frac{2}{3}$   $\frac{1}{2}$   $\frac{1}{3}$

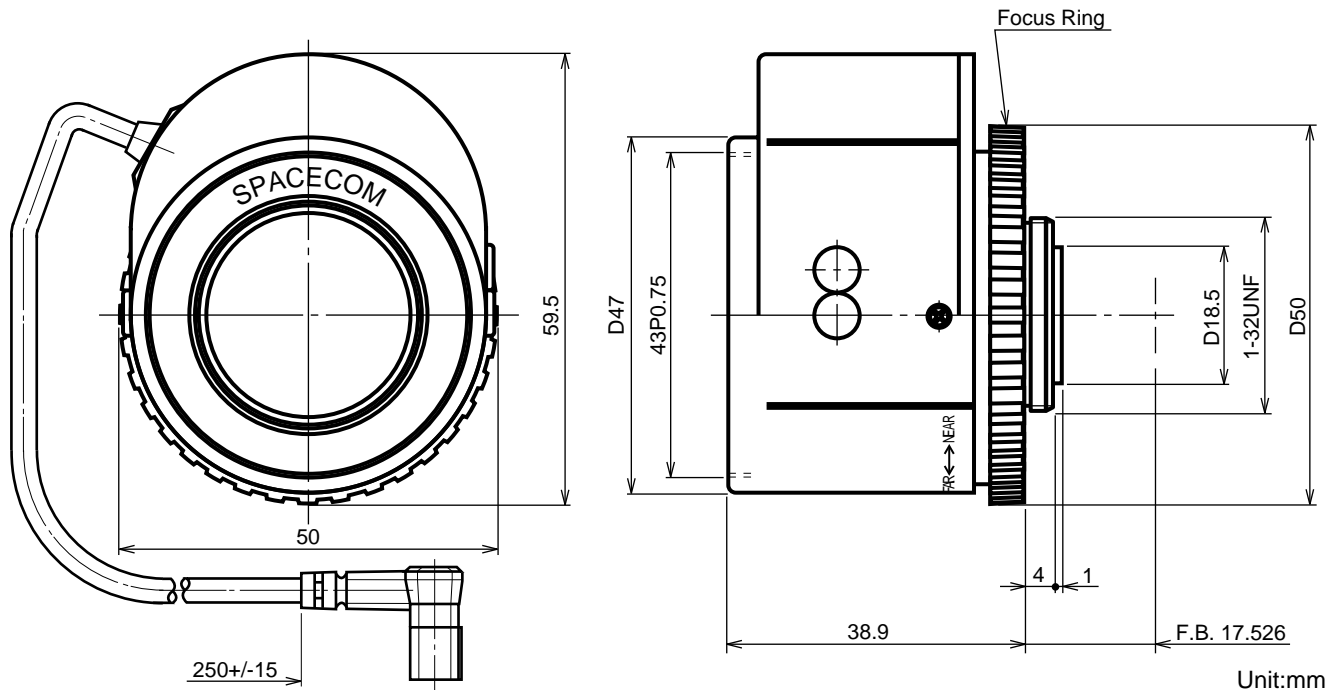
**[SPECIFICATIONS]**

Focal Length :	7.5mm	Flange Back :	17.526mm
Maximum Relative Aperture :	1:1.4	Operation Voltage:	Close to Open : Less than 3V Open to Close : More than 0.5V
Iris :	F1.4 - Equivalent to 360	Operation :	Focus : Manual Iris : IG ( Auto Close System )
Angular Field of View :	60.8 X47.5 deg.	Operation Temperature :	-10 to +50
Image Format :	8.8X6.6mm(D11mm)	Mount :	C-Mount(Adjustable Lens Position) CS-C Adaptor is necessary when used with CS Mount camera
Minimum Object Distance :	0.2m(From Front Vertex)	Front Thread :	43mm P0.75
Object Dimensions at M.O.D. :	26.0X19.5cm	Size, Weight :	59.5X50X38.9mm, Approx. 90g
Optical Back Focal Distance :	13.57mm(In Air)		
Flange Back :	17.526mm		

**[COMPOSITION]**

- Lens .....1
- Lens Cap .....1
- Dust Cap .....1

**[DIMENSIONS]**



**[CIRCUIT DIAGRAM]**

