

# HF35DC-2

Image Size: (1) (2/3) (1/2)

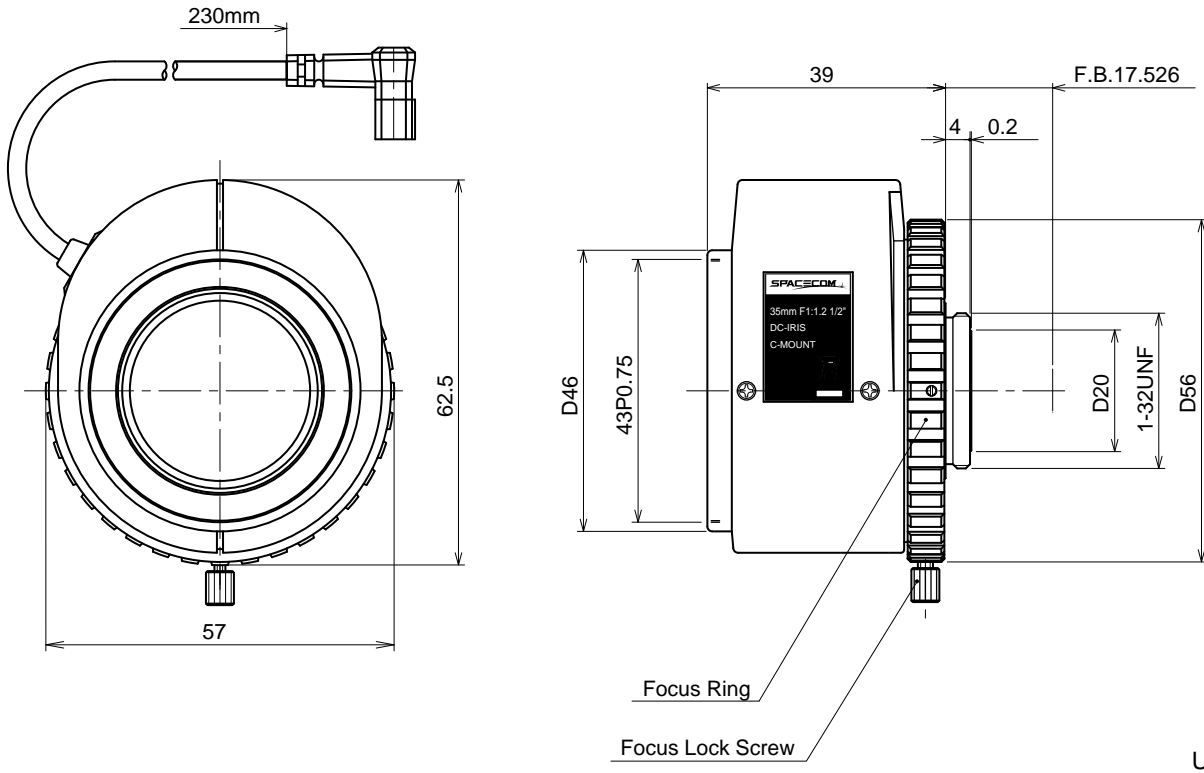
## [SPECIFICATIONS]

Focal Length :	35mm	Flange Back :	17.526mm
Maximum Relative Aperture :	1:1.2	Operation Voltage :	Close to Open : Less than 3V Open to Close : More than 0.5V
Iris :	F1.2 - Approx. 360 (With Attenuator)	Operation :	Focus : Manual Iris : IG (Auto Close System)
Angular Field of View :	10.4X7.8 deg	Operation Temperature :	-10 to +50°C
Image Format :	6.4X4.8mm (D16mm)	Mount :	C-Mount (Adjustable Lens Position)
Minimum Object Distance :	1.0m (From Front Vertex)	Front Thread :	43mm P0.75
Object Dimensions at M.O.D. :	21.1X17.5cm	Size :	62.5X57X39mm
Optical Back Focal Distance :	14.01 mm (In Air)		

## [COMPOSITION]

- Lens . . . . . 1
- Lens Cap . . . . . 1
- Dust Cap . . . . . 1

## [DIMENSIONS]



## [CIRCUIT DIAGRAM]

